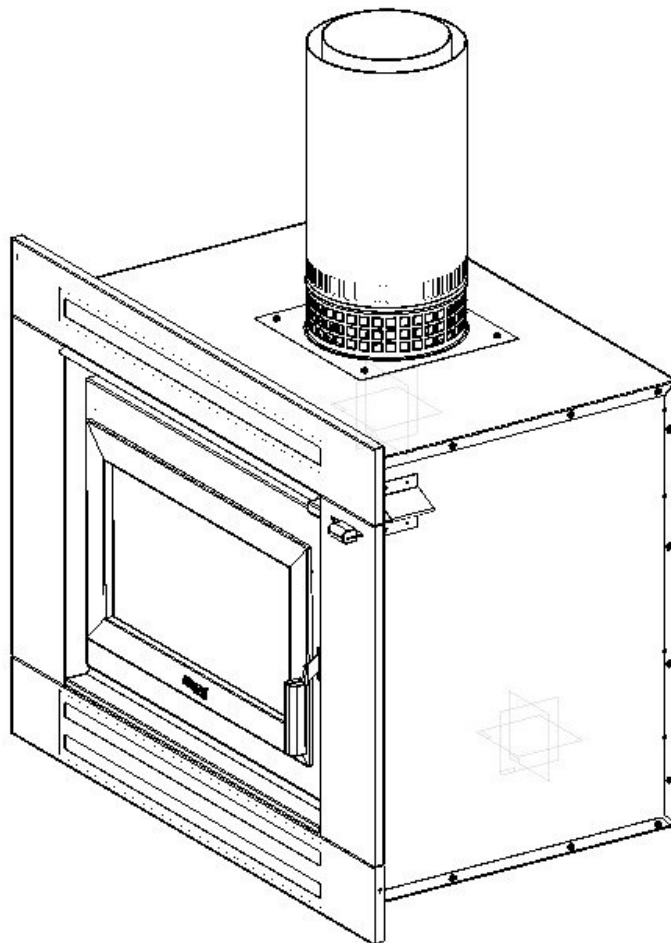




## MASPORT I9000 INBUILT FIRE






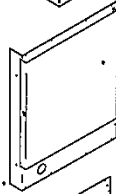
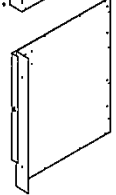
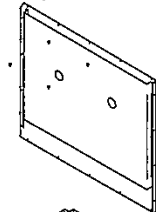
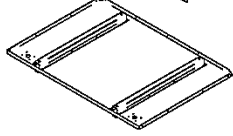
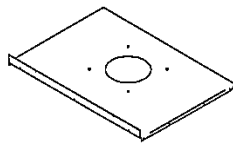
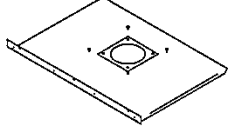


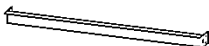
## INSTALLATION INSTRUCTIONS



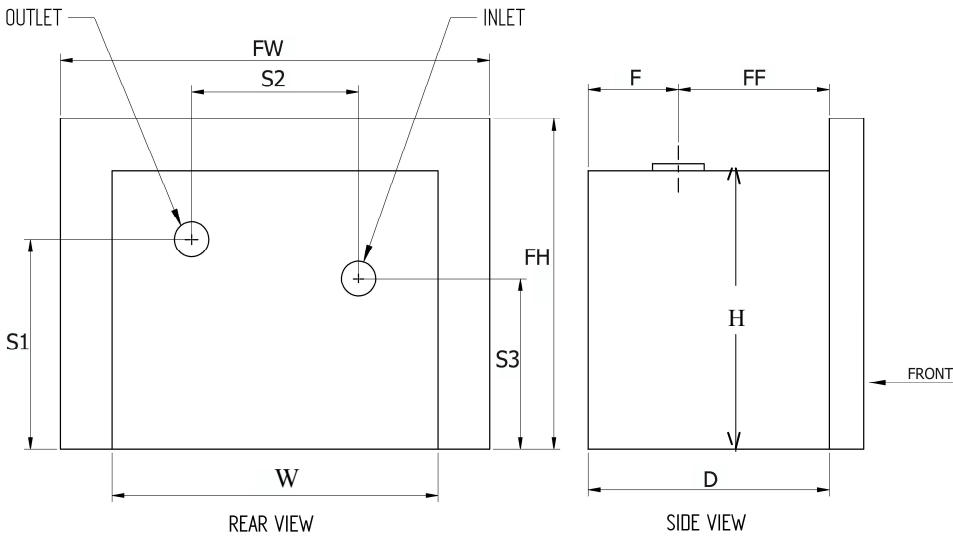
**Manufactured in New Zealand by:**  
GLEN DIMPLEX AUSTRALASIA LIMITED  
38 Harris Road, East Tamaki  
Auckland  
Ph: 0800 666 2824  
Fax: 09274 8472  
Email: [sales@glendimplex.co.nz](mailto:sales@glendimplex.co.nz)  
Web: [www.glendimplex.co.nz](http://www.glendimplex.co.nz)

**Distributed in Australia by:**  
GLEN DIMPLEX AUSTRALIA PTY LIMITED  
Unit 2, 205 Abbots Road, Dandenong South  
Victoria, 3175  
Ph: 1 300 566 816  
Fax: 1 800 058 900  
Email: [sales@glendimplex.com.au](mailto:sales@glendimplex.com.au)  
Web: [www.glendimplex.com.au](http://www.glendimplex.com.au)

## CONTENTS ZERO CLEARANCE BOX (SHIELDING BOX) KIT

PART NO.	QTY	DESCRIPTION	
523031	2	WASHER DIA 6	
521635	6	SCREW HEX. 10G X 10mm	
521637	8	SCREW HEX. 12G X 25mm	
521643	38	SCREW HEX. 8G X 13mm	
521076	2	SCREW HEX. M6 X 16mm	
593374	1	ADAPTOR SPIGOT RING	
993390	1	L/H SIDE PANEL ASSEMBLY	
993391	1	R/H SIDE PANEL ASSEMBLY	
993393	1	REAR PANEL ASSEMBLY	
993392	1	BOTTOM PANEL ASSEMBLY	
993361	1	TOP PANEL	
993360	1	TOP SHIELD ASSEMBLY	
993370	2	RESTRAINT BRACKET	
993389	2	BRACKET- STANDOFF	
995168	1	SUPPORT ANGLE	

**DIMENSIONS:**



**Fig. 1**

MODEL	D	F	FF	FH	FW	H	W	S1	S2	S3
I9000 INBUILT	612	264	348	847	1024	786	852	528	340	508

**INTRODUCTION**

In the interest of your safety, most building regulatory Authorities in Australia and New Zealand require any woodfire installation to comply with Installation Standard AS/NZS 2918:2001. They may also have local requirements in addition to those in the Standard. Check with your local Building Authority **before commencing installation** to find if you will require a Permit and whether there are extra requirements. This woodfire has been tested to ensure that it will meet the appropriate safety Standard requirements if these instructions are followed. As the safety and emission performance can be affected by altering the appliance, no modifications are allowed without written permission from the manufacturer.

The model I9000 has been tested to demonstrate compliance with current general emission requirements in Australia and New Zealand, but some areas have stricter limits. So **check before** purchasing or installing the requirements for your area.

**WE RECOMMEND THAT THE INSTALLATION OF YOUR MASPORT WOODFIRE BE CARRIED OUT BY A QUALIFIED SPECIALIST INSTALLER.**

**IF ANY ELECTRICAL WORK IS REQUIRED, IT MUST BE CARRIED OUT BY A LICENSED ELECTRICIAN.**

**IN SOME REGIONS POWER POINTS ARE NOT PERMISSIBLE WITHIN THE FLOOR PROTECTOR AREA, PLEASE CHECK WITH YOUR LOCAL AUTHORITY.**

**IF THE SUPPLY CORD IS DAMAGED, IT MUST BE REPLACED BY THE MANUFACTURER OR ITS SERVICE AGENT OR A SIMILARY QUALIFIED PERSON IN ORDER TO AVOID ELECTRICAL HAZARD.**

**WARNING: THE APPLIANCE AND FLUE SYSTEM MUST BE INSTALLED IN ACCORDANCE WITH AS/NZS 2918:2001 AND THE APPROPRIATE REQUIREMENTS OF THE REVELANT BUILDING CODE OR CODES.**

**WARNING: APPLIANCES INSTALLED IN ACCORDANCE WITH THIS STANDARD SHALL COMPLY WITH THE REQUIREMENTS OF AS/NZS 4013 WHERE REQUIRED BY THE REGULATORY AUTHORITY, I.E. THE APPLIANCE SHALL BE IDENTIFIABLE BY A COMPLIANCE PLATE WITH THE MARKING 'TESTED TO AS/NZS 4013'. ANY MODIFICATION OF THE APPLIANCE THAT HAS NOT BEEN APPROVED IN WRITING BY THE TESTING AUTHORITY IS CONSIDERED TO BE IN BREACH OF THE APPROVAL GRANTED FOR COMPLIANCE WITH AS/NZS 4013.**

**WARNING FOR APPLIANCES WITH WATER HEATING DEVICES: DO NOT CONNECT TO AN UNVENTED HOT WATER SYSTEM. INSTALL IN ACCORDANCE WITH AS 3500.4.1 OR NZS 4603 AND THE APPROPRIATE REQUIREMENTS OF THE REVELANT BUILDING CODE OR CODES.**

PLEASE ENSURE THAT ONLY COMPONENTS APPROVED BY GLEN DIMPLEX AUSTRAL-ASIA LTD ARE USED FOR INSTALLATION, as substitutes may adversely affect performance and might nullify compliance with the requirements of AS/NZS 2918:2001.

CAUTION: MIXING OF APPLIANCE OR FLUE SYSTEM COMPONENTS FROM DIFFERENT SOURCES OR MODIFYING THE DIMENSIONAL SPECIFICATION OF COMPONENTS MAY RESULT IN HAZARDOUS CONDITIONS. WHERE SUCH ACTION IS CONSIDERED, THE MANUFACTURER SHOULD BE CONSULTED IN THE FIRST INSTANCE.

CAUTION: CRACKED OR BROKEN COMPONENTS, E.G. GLASS PANELS, MAY RENDER THE INSTALLATION UNSAFE.

## **NOTE**

The following instructions cover the installation of the model I9000 Inbuilt Fire complete with a 'zero clearance' metal shielding box, 'zero clearance' fascia and special 'zero clearance' flue kit.

## INSTALLATION REQUIREMENTS

### INSTALLATIONS- FLOOR TO CEILING ENCLOSURE:

1. Inspect the house construction at the proposed installation position to verify that the flue casing (250mm diameter, plus 25mm clearance all around) can pass right up through the ceiling space without requiring the removal of essential roof or ceiling support beams. The flue centerline will be 300mm from the rear wall and it must be at least 760mm distant from any side wall. (See Fig. 2).

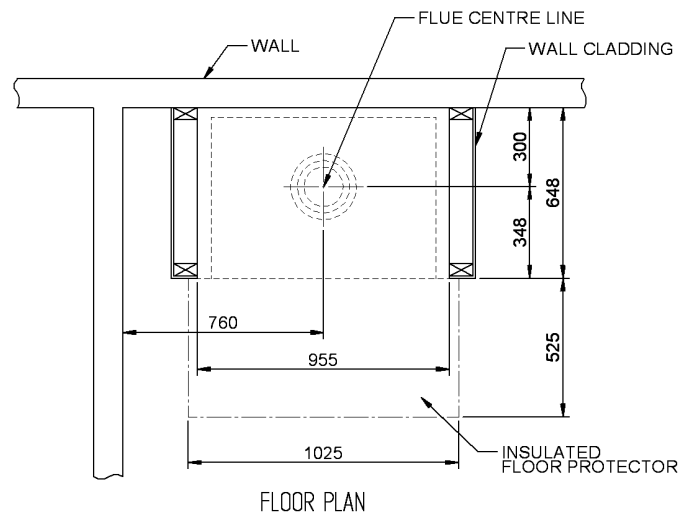


Fig. 2

FLOOR PLAN

2. Drop a plumb line from the ceiling to the floor to verify the centerline and cut a hole at least 300mm square through the ceiling on this centerline. If preferred, there may be no ceiling inside the fireplace enclosure. (See step 22).
3. Ensure that there are suitable noggins at either the ceiling or roof level (or both) to provide anchorage for the outer flue casing bracing angles.
4. **Frame up the enclosure** using normal 90x45mm dressed timber, verifying that it will be on the flue centerline. (See Fig. 4). The overall depth should be  $(648 - t)$  mm, where 't' is the cladding thickness. The distance between the front uprights must be 955mm (use the supplied metal support angle as a spacer). Fix the metal support angle between the two front uprights at a height of 810mm above the base of the shielding (zero clearance) box.
5. For an **'elevated' installation** (See Fig. 6), fix two extra noggins (90x45x955) across the front opening of the enclosure, one at the bottom and the other at the desired 'elevation' height. These extra nogs will carry the front cladding below the heater. Fix two 90x45 bearers running from front to back behind the top extra noggins, positioned 250mm each side of the enclosure centerline to provide support for the shielding box rails. The bearer tops must be flush with the top of the top extra nog. Provide a suitable support at the rear ends of the bearers to carry the weight of the appliance. The shielding box can sit directly on the bearers. No insulation is necessary. The usual three noggins may be fixed at each side of the enclosure. At the front, the lowest wooden nog 'N' must have its lower face at least 1200mm above the top of the floor protector (or 1200mm above the bearers for an elevated installation). Further wooden nogs can be fitted above this one.
6. Fix the cladding to the front of the enclosure, including down each side of the opening. All **front cladding** (including cladding below the heater in elevated installations) which is less than 1200mm above the floor protector (or the bearers in elevated installations), must be of heat-proof material such as Hardies TILE & SLATE UNDERLAY, HARDIFLEX or ETERPAN. **Wall surfaces directly above the heater may reach 85 degrees C, so materials such as wallpaper and water based paint may be adversely affected. For durability of finishes and surfaces you should contact the relevant manufacturers for their specifications. Masport Heating accepts no responsibility for the deterioration of surfaces of finishes.**

It is usually convenient to carry the same material right up to the ceiling level. At the lower edge, drill (4.5mm diameter) holes into the metal support angle through the holes in the top flange of the shielding box and fasten with the self threading screws provided. The **side cladding** of the enclosure may be Gib board or any other wall cladding material. **You must** leave the cladding off at least one side until the flue system has been installed.

7. For heat sensitive floors, construct an **insulating floor protector** of the shape shown in the Floor Plan above. (see below for concrete floors). The standard insulating floor protector is constructed of two layers of 16mm thick MICORE 160 or one layer of WOODTEX 35mm thick, topped with a 6mm sheet of Hardies TILE & SLATE UNDERLAY and a layer of tiles or slate. This will give a thickness of approximately 50mm, and the extension from the face of the front cladding must be at least 525mm. The floor protector must be at least 1025mm wide. It is desirable to carry the floor protector all the way inside the enclosure to ensure that the bottom of the shielding box does not rest below the top surface of the floor protector.
8. Note: For **elevated installations** (bottom of the shielding box rails at least 300mm above floor level), the floor protector may be installed after the heater is in position as it does not extend into the enclosure. However, its rear edge must butt up against the face of the heat-proof front cladding below the heater, and the joint at that point must be sealed to prevent the possibility of ember penetration. In this case an ash floor protector is sufficient. Construction requirements for an ash floor protector are: one sheet of 6mm fibre cement board (e.g. Hardies TILE & SLATE UNDERLAY) covered with ceramic tiles or slate.
9. Cement tiles or slate to the top of the floor protector. The part inside the enclosure will not be visible and therefore does not need complete coverage. It is necessary to fix the finishing layer only under the support rails in this area. The visible edges of the floor protector are best finished with wooden trim or tiles after the stove has been installed.
10. Penetrate the roofing material on the flue centerline. Working from the bottom, assemble sections of the **flue and the inner and outer flue casings** and pass them up through the hole in the roof. Remember the flue sections must be fixed together at each joint with at least two rust-proof fasteners, and the crimped ends of the flue casings go to the top. When the flue system is finally in position, the top of the inner casing and the top of the outer casings must be at the same height. If the flue centerline is within 3m from the ridge, the outer casing must end at least 600mm above the ridge. If it is further than 3m from the ridge, the shield must extend at least 900mm above the point of roof penetration. In some cases where there are trees or high buildings in the vicinity, it may be necessary to increase the height to avoid down-draughts. Note that the special adapter spigot ring with holes to ventilate the space between the flue and the inner casing as well as the space between the inner casing and the outer casing has to be attached with 4 screws and locking nuts to the top of the shielding box. Both flue casings (inner & outer) will engage with this special adapter spigot ring. The fitting of the special adapter spigot ring to the top of the shielding box should be done after the shielding box has been pushed into the enclosure.
11. **Assemble** the base, sides, back, top shield assembly and top panel of the **shielding box**. The top shield rests on the top edges of the inner heat shields of the cabinet. Make sure the back flange hooks over the shield on the rear panel (See Fig. 3).
12. Attach the two standoff brackets to the sides of the shielding box panels (if not already fitted). Use four pop rivets for each bracket.
13. **Slide the assembly into place in the enclosure**. After centralizing, fix the flange of the top panel of the shielding box through the cladding into the metal angle support. Use 2/ 12g x 25mm screws. Attach the special adapter spigot ring to the top panel of the shielding box. Use 4 screws 8g x 13mm.
14. In New Zealand and some parts of Australia, Standards require that the woodfire be secured to prevent shifting in the event of an earthquake. To **provide seismic restraint, fix the shielding box to the floor** (bearers in an elevated installation) with two 6mm masonry anchors (DYNABOLTS) or two 12 gauge screws. Use the two holes in the bottom of the shielding box spaced 687mm apart.
15. Now go to the **firebox cabinet** and remove the two retaining screws and slide out the top section of the firebox cabinet.
16. Attach the two centralizing angles to the side panels of the firebox cabinet, flanges facing for-

ward and outwards. Use two screws provided for each bracket.

17. Slide the firebox cabinet into the shielding box. Centralize it and secure the restraint brackets to the shielding box flanges.
18. **Complete the seismic restraint** of the fire by screwing the base plate of the fire to the bottom of the shielding box with two M6 screws. Use the two holes in the base spaced 502mm apart.
19. Lower the assembled **flue** and **seal and fix it to the flue socket** of the heater. Use stainless steel screws. Lower the inner flue casing and engage it with the special adaptor spigot ring, repeat this step with the outer flue casing. See Fig. 8 & 9 for flue and casing lengths.
20. Fit the two shield bracing angles at either ceiling or roof level as appropriate. Fix a suitable flashing where the outer casing penetrates the roof.
21. **IMPORTANT: TO AVOID THE RISK OF A FIRE, COVER THE ENTIRE OPEN SPACE SURROUNDING THE OUTER FLUE CASING AT CEILING LEVEL WITH WIRE NETTING WHICH HAS A MESH SMALL ENOUGH TO PREVENT THE ENTRY OF BIRDS OR VERMIN INTO THE ENCLOSURE.**
22. At the top of the flue, fix the flashing cone and fit the cowl in the usual way. There must be a 25mm gap between the top of the two flue casings and the flashing cone, so that the spaces between the flue and inner casing and between the inner and outer casing are properly vented.
23. Re-fit the removable top section of the firebox cabinet and secure it with two screws.
24. Fix the cladding to the enclosure side(s).
25. Fit the fascia. See instructions supplied with the fascia.
26. Ensure that the ceiling baffle, secondary air tube and the four side bricks and the three rear bricks are in the correct position.
27. Check and ensure that the fan rests on four rubber grommets and that the front two grommets are resting over the two upturned lugs of the cabinet base plate.
28. Finish the floor protector by installing an edge trim if desired.

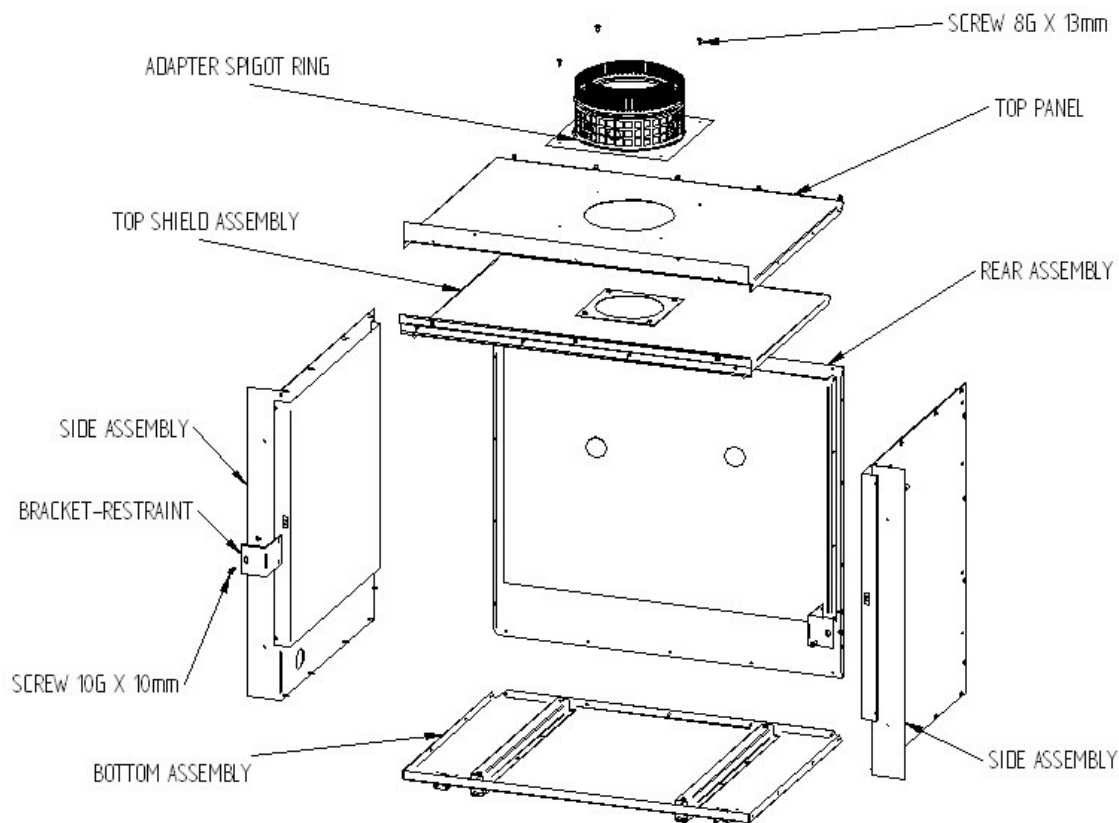
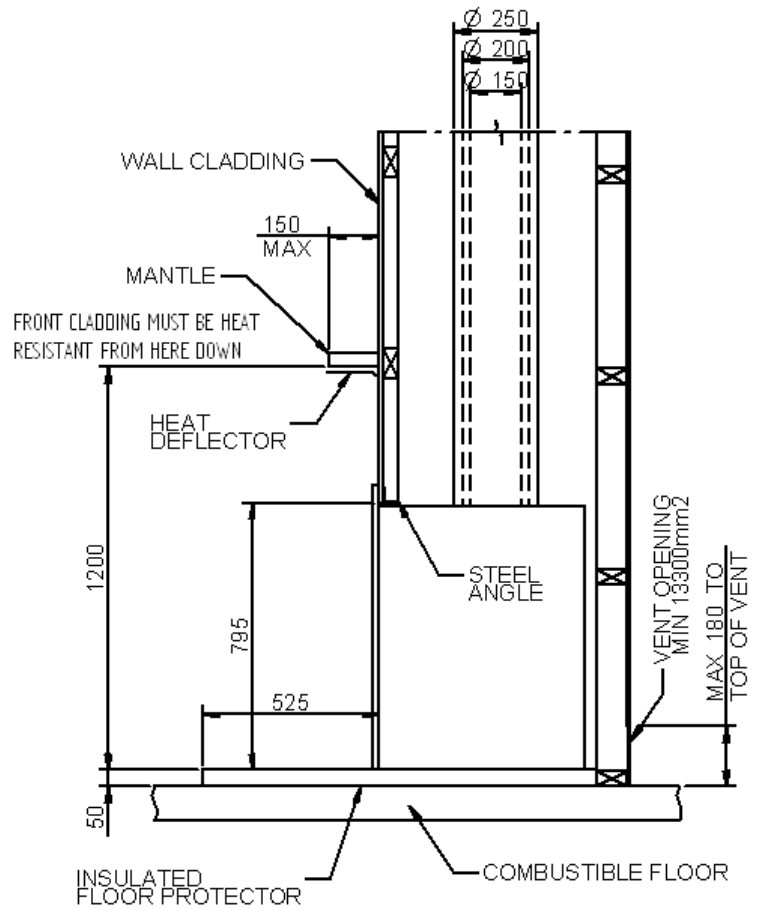
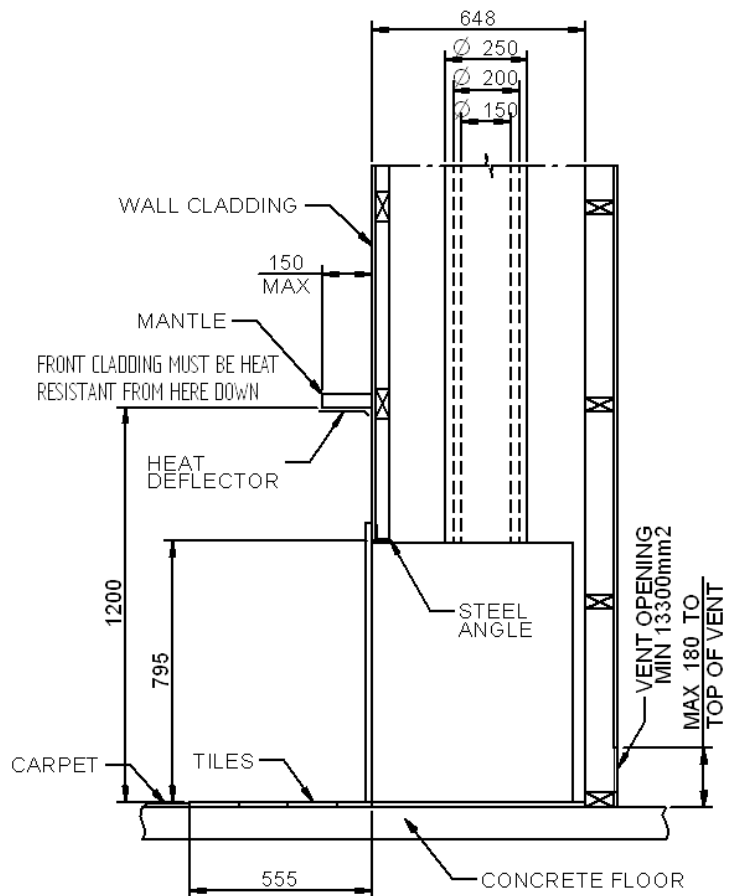


Fig. 3

**Fig. 4**  
**INSTALLATION ON**  
**COMBUSTIBLE FLOOR**

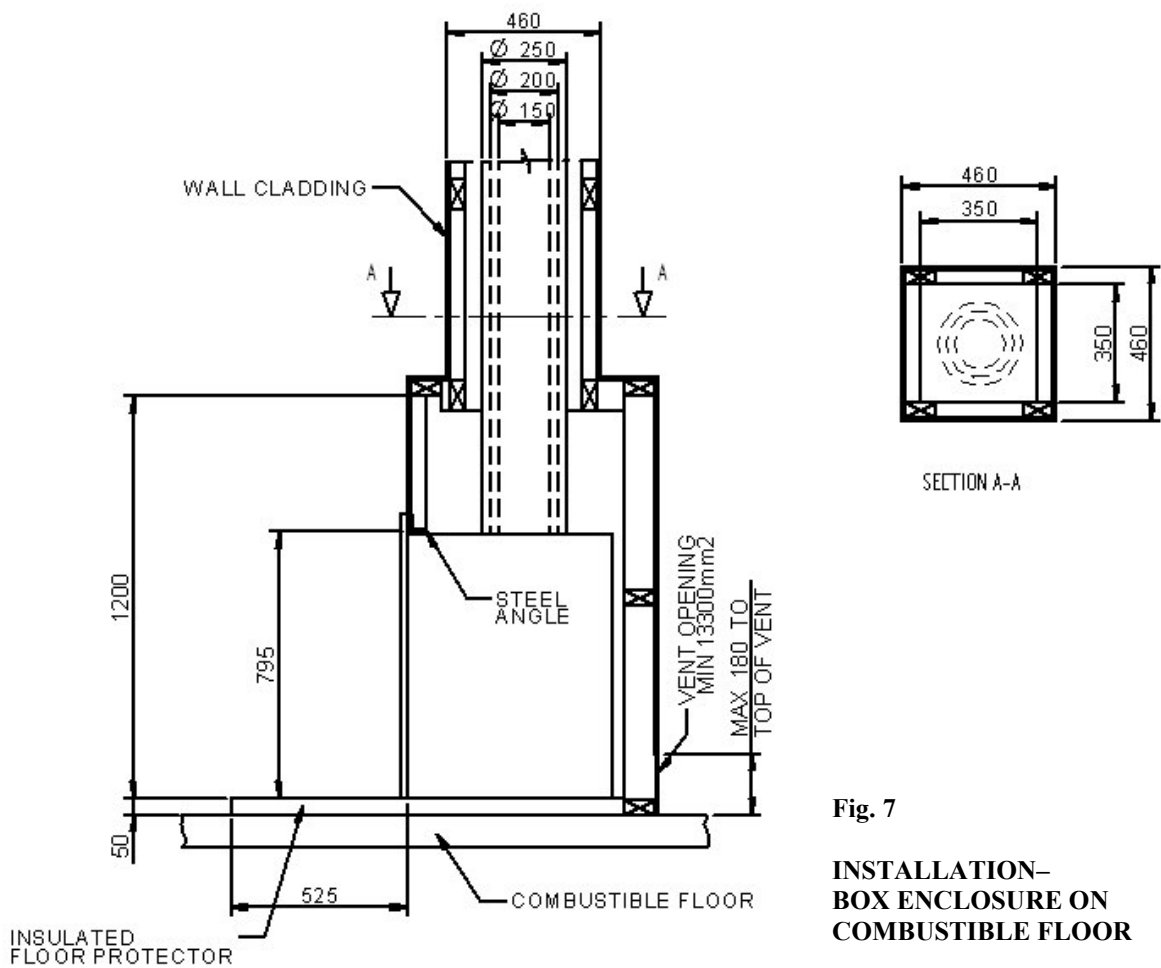
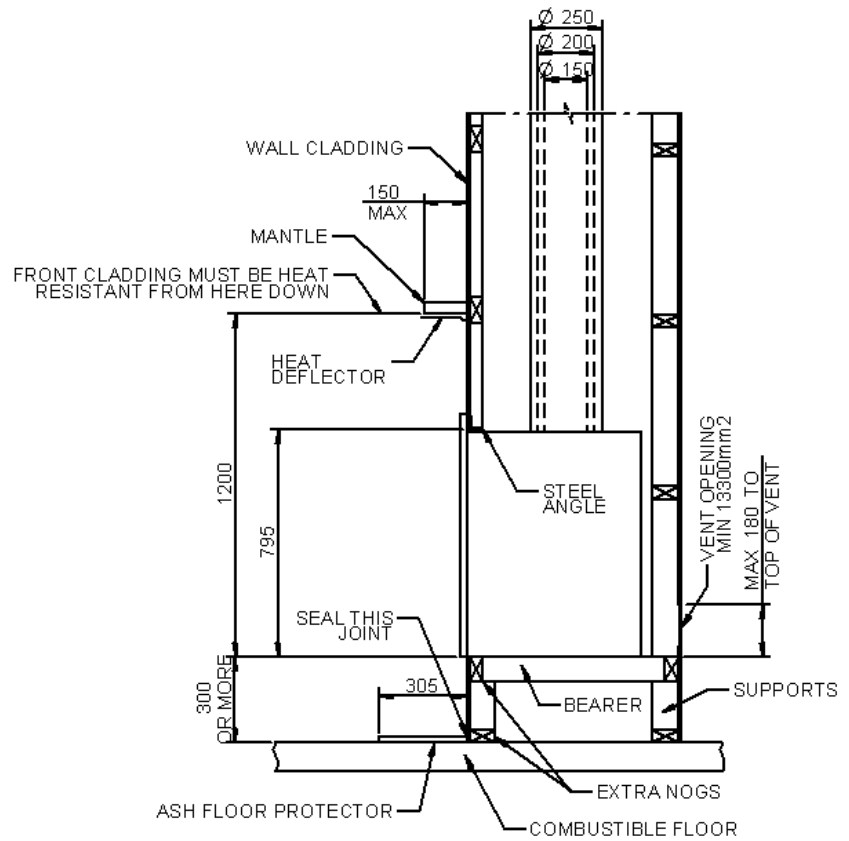


**Fig. 5**  
**INSTALLATION ON**  
**CONCRETE FLOOR**





**Fig. 6**  
**INSTALLATION-**  
**ELEVATED**



**Fig. 7**  
**INSTALLATION-**  
**BOX ENCLOSURE ON**  
**COMBUSTIBLE FLOOR**

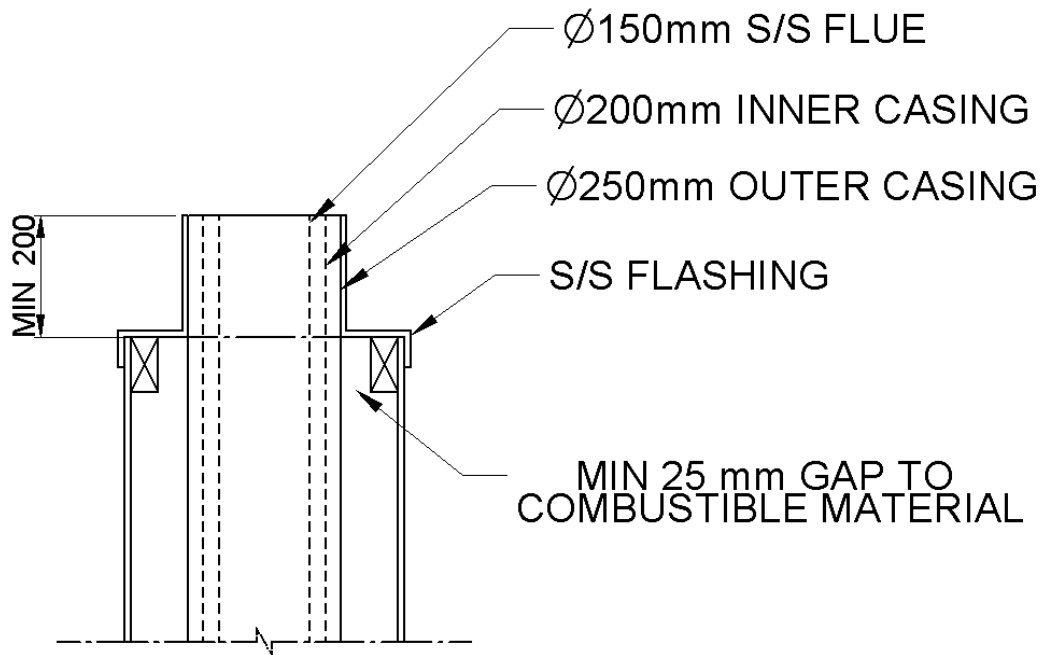


Fig. 8

HEIGHTS OF FLUE PIPE & CASINGS FOR SFP COMBINATION COWEL ( Fixed Bracket)

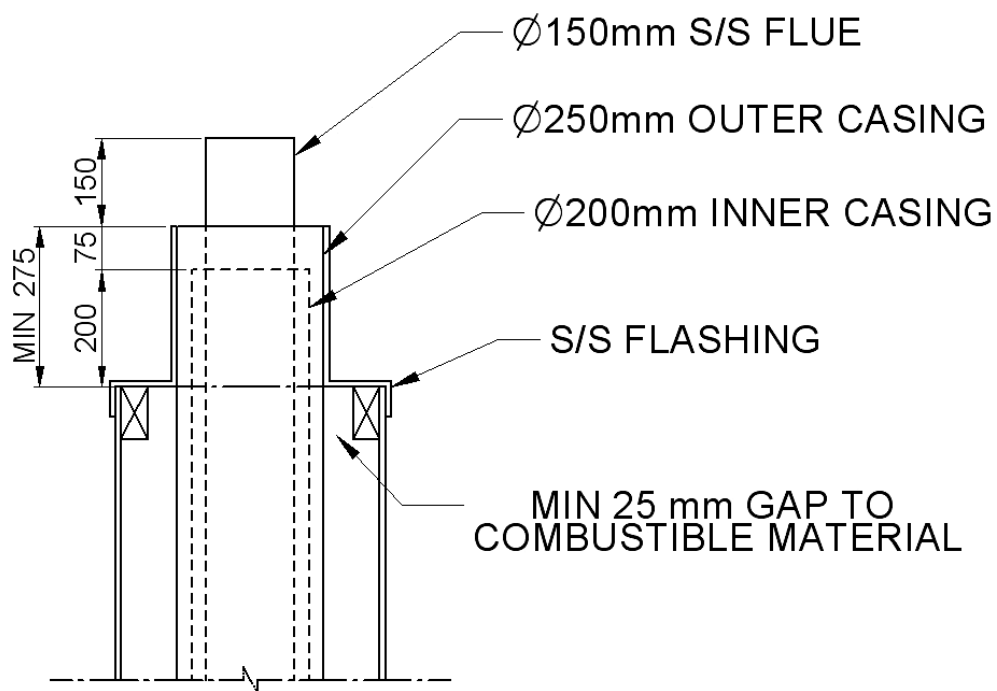


Fig. 9

HEIGHTS OF FLUE PIPE & CASINGS FOR SFP STANDARD CASING COVER & SFP TOP FLUE PIPE SPACER BRACKET

**NOTE:**

It is very important that the space between the flue pipe and the inner casing and the space between the inner casing and the outer casing are ventilated at the top.

## NOTES FOR VARIATIONS

### CONCRETE FLOORS

The above instructions assume that the heater is being installed on a heat sensitive floor such as timber or particle board. Where the floor is not heat sensitive (e.g. concrete), the insulating floor protector may be omitted. However, if heat sensitive floor coverings (e.g. carpet) are fitted it will be necessary to keep them at a safe distance. The most practical way to do this is to fix tiles to the floor where the floor protector normally would be. This will make the top of the protector approximately flush with the floor covering, so a **larger floor protector will be needed**. It must extend out to 555mm from the face of the front cladding, but the 1025mm width will be sufficient (see Fig. 5). Remember to raise the shielding box by the same amount as the thickness of the tiles on the concrete

### BRICK FACED INTERNAL ENCLOSURES

Flue installation and clearance requirements are as detailed above. Brick wall construction will normally require a cast concrete base slab, so this slab could be extended to provide the necessary floor protection.

**CAUTION.** If your local Building Requirements permit laying the concrete slab on top of a wooden floor, it should be made of lightweight concrete and even then foundation support may be required. In any case, the slab should be poured on top of one layer of 16mm thick Micore 160 board (covered with plastic sheet to keep it dry) to prevent heat damage to the wooden floor.

The top surface can be finished with bricks or tiles etc. In all cases the floor protector dimensions must be as previously shown.

## EXTERNAL INSTALLATIONS

In the case where the enclosure is to be erected outside the house, the shielding and flue installation details above will still apply. It is important to remember that the aperture in the wall of the house will need to be sufficient high to permit the installation of heat resistant paneling around the heater to at least 1200mm above the bottom of the shielding box rails. Suitable foundations will be required to support the weight of the enclosure and the heater and weatherproofing of the entire assembly will be necessary.

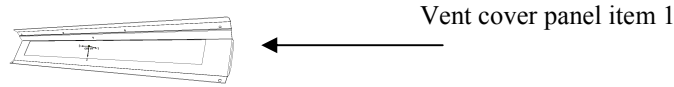
## INSTALLATIONS- BOX ENCLOSURE

You can create a 'different look' installation as per Fig. 7 and variations of it. The minimum dimensions for the plan view (floor plan) are the same as for the 'wall to ceiling enclosure' (See Fig 2). The inside height of the enclosure must be at least 1245mm from the bottom of the shielding box rails to the underside of the top panel of the box. The chimney chase must be at least 440mm square over the wooden frame which is made from 45x90 dressed timber (See Fig.7), or it could also be made from tube with an inside diameter of 350mm. The chimney chase frame can be made from timber and the cladding can be made from GIB-board. The whole front cladding of the enclosure must be made from heat-resistant material like Hardies TILE & SLATE UNDERLAY, HARDYFLEX or ETER-PAN. The side cladding and the top panel can be made of any cladding material (it does not have to be heat-resistant material). Of course the supplied steel angle support which supports the front cladding immediately above the shielding box must be used as above. All other constraints are as above. The top panel of the box enclosure must have an opening of at least diameter 350mm where the flue/flue casings exit the box.

## INSTALLING THE FASCIA

Unpack fascia and lay flat on floor front face up, careful not to scratch the paintwork. Remove the vent cover panel (item 1) which will be just above the door on the final installation. It is secured with two screws. Take care not to scratch any panels.

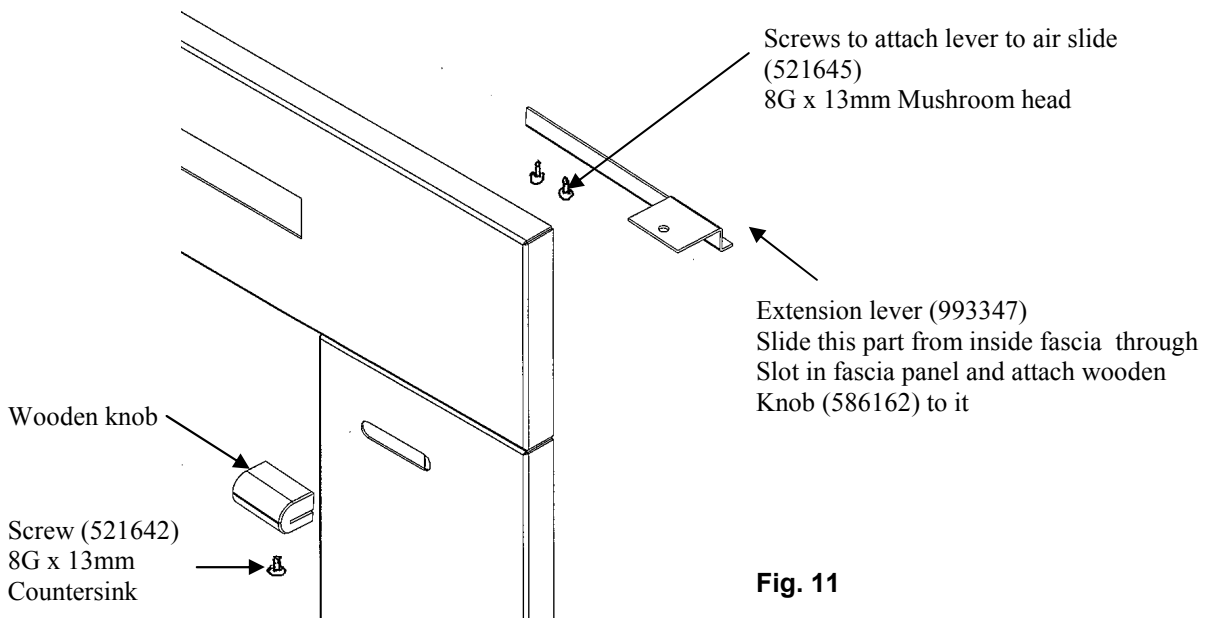
**Fig. 10**



Turn fascia over and check all screws for tightness. Remove rocker switch from wiring loom and insert switch from the outside through the rectangular hole on the left upper side of the fascia.

**Before fitting the fascia to the fire cabinet** you have to fit the air slide extension lever and the wooden knob to the fascia. These parts including the screws are supplied with the fire, not with the fascia.

Please see sketch below for details.

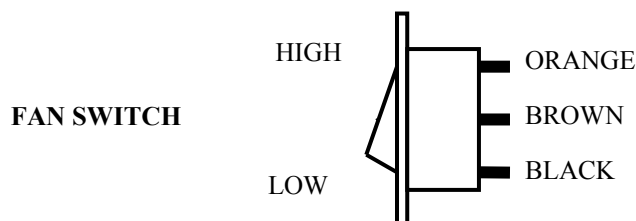


**Fig. 11**

Take the three pin plug and feed it through the large round hole at the bottom left side of the shielding box, so that the plug and the cord are outside the shielding box. Do not disturb the protective edging around the hole in the sheetmetal panel.

Now bring the fascia in its upright position close to the fire and **connect the earth lead to the tag** on the lower end of the left hand fascia bracket. This is a quick connect push-on connection.

Connect the three terminals at the end of the loom to the switch. See sketch for position of wires. Ensure the loom rests in the notch behind the left hand fascia.



**Fig. 12**

Position the power cord with the three pin plug at the end through the slot at the bottom end of the left hand fascia panel. Make sure the small rubber grommet is inserted into the slot to protect the mains lead against possible damage..

Move fascia to the front of fire, slide it in and lift it up about 15mm above its final position. Hook the top panel of the fascia into the groove of the zero clearance cabinet and then lower it. Secure with 4 screws only to the cabinet. Use the two uppermost and the two lower screws at this stage.

Now fit the vent cover (item 1) with the six screws.

Connect the air slide extension lever with two mushroom head screws to the air slide extension bracket. The lever goes inside the extension bracket. Attach this assembly to the air slide with two screws and adjust the height. There are slots in the extension bracket to allow for optimum height adjustment .

Fit the door. Hook the bottom pivot over the lower end of the hinge pin and lift the door up until the top pivot drops over the top end of the hinge pin.

Check the installation.

Insert plug into wall power socket and check the operation of the fan.

Hand over the owner's manual to the owner of the fire.