

INSTALLATION SPECIFICATION SHEET

These instructions must be used in conjunction with the 'General Installation Instructions' for Masport wood fires.

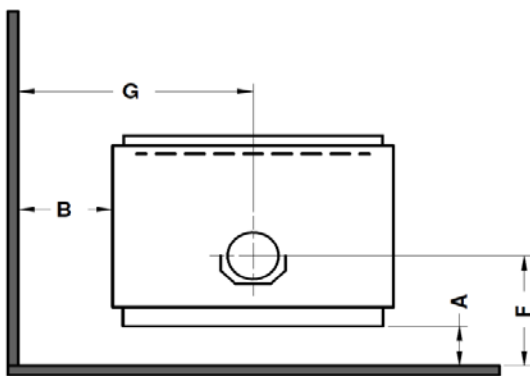
Important Note: Masport R12000 model needs to be installed with specific flue shield, flue diverter plate and/or ceiling plate. The Glen Dimplex warranties will void unless fitted with these components. Refer instruction sheet with Part ID 583575 for detailed instructions to fit these shielding components.

CLEARANCE REQUIREMENTS

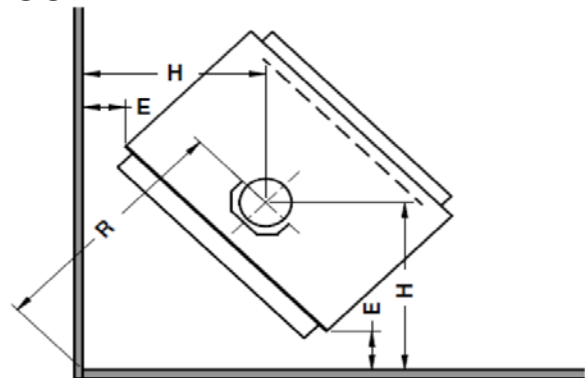
This fire has been tested and complies to the Australian/New Zealand Standard AS/NZS 2918:2001 and all installations must be in accordance with the minimum clearances to combustibles indicated in these instructions.

The minimum clearances to combustables may be reduced if the combustible walls are shielded with an approved non-combustable material. Details of suitable materials and appropriate clearance reduction factors are present in Section 3 of AS/NZS 2918:2001.

POSITIONING YOUR FREE-STANDING WOODFIRE



PARALLEL INSTALLATION



CORNER INSTALLATION

AUSTRALIA

MINIMUM DISTANCES TO HEAT SENSITIVE WALLS (mm)

MODEL	FLUE SYSTEM & FLUE SHIELD	A	B	E	F	G	H	R§
R12000 (HW)(Dry with Fan)	FLOMET UNIVERSAL FLUE SYSTEM + MASPORT 850mm SINGLE SKIN SHIELD	213	500	240	413	895	630	891
	AIR-GROUP SPECIAL INSULATED FLUE + MASPORT 900mm DOUBLE FLUE SHIELD + TOP DIVERTER PLATE + 500x500 CEILING PLATE	238	500	240	438	895	630	891

§ Valid only when the room walls are at 90° to each other.

‡ Note: Clearances are for fire hazard only. For durability of finishes or surfaces you should contact the relevant manufacturer for their specification. Masport accepts no responsibility for the deterioration of surfaces or finishes.

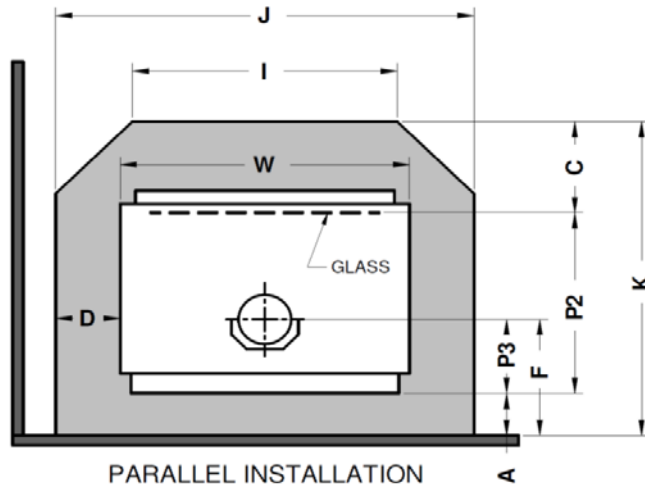
* Air-Group Special Insulated Flue Kit is same as AHD Special Insulated Flue Kit

PRT. NO. 583573

DATE: 25.02.2014

FLOOR PROTECTOR (Hearth) REQUIREMENTS PARALLEL INSTALLATION

MINIMUM FLOOR PROTECTOR DIMENSIONS IN mm



AUSTRALIA - ALL WITH FLUE HEATSHIELD

MODEL	Flue Shield	Floor Protector height	A#	C#	D	F	I	J	K#	P2	P3	W	Floor Protector Type Ø
R12000 (HW)(Dry with Fan)	FUF	ANY	213	300	87	413	664	964	1133	620	200	790	AFP
	AGA	ANY	238	300	87	438	664	964	1158	620	200	790	AFP

FUF = FLOMET UNIVERSAL FLUE SYSTEM + 850mm Single Flue Shield

AGA = AIR GROUP / AHD SPECIAL INSULATED FLUE KIT + SPECIAL 900mm DOUBEL FLUE SHIELD + TOP DIVERTER PLATE + 500x500 CEILING PLATE

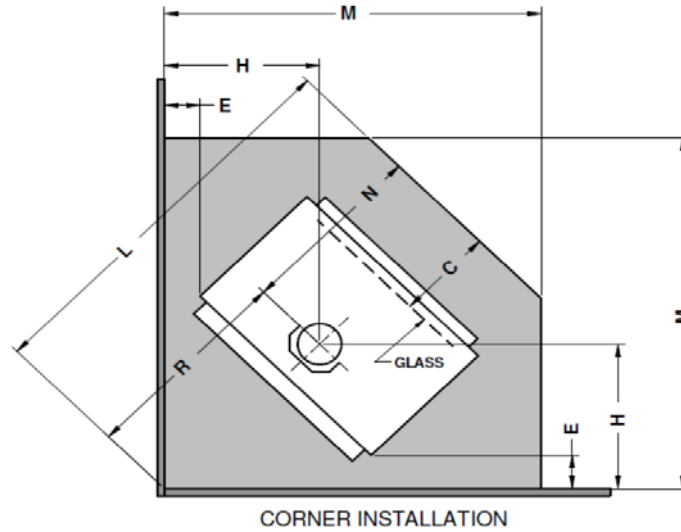
AFP = ASH FLOOR PROTECTOR

Ø for minimum constructional requirements see general installation instructions.

Dimensions in table are valid only when the fire is exactly at its minimum allowable wall clearance.

FLOOR PROTECTORS (Hearth) REQUIREMENTS CORNER INSTALLATION

MINIMUM FLOOR PROTECTOR DIMENSIONS IN mm



DIMENSIONS IN THE TABLE ARE VALID ONLY WHEN THE FIRE IS EXACTLY AT ITS MINIMUM ALLOWABLE WALL CLEARANCE.

AUSTRALIA

MODEL	Flue Shield	Floor Protector Distance above Floor	C	E	H#	L#	M#	N	R#	FLOOR PROTECTOR TYPE
R12000 (HW)(Dry with Fan)	FUF	ANY	300	240	630	1611	1374	720	891	AFP
	AGA	ANY	300	240	630	1611	1374	720	891	AFP

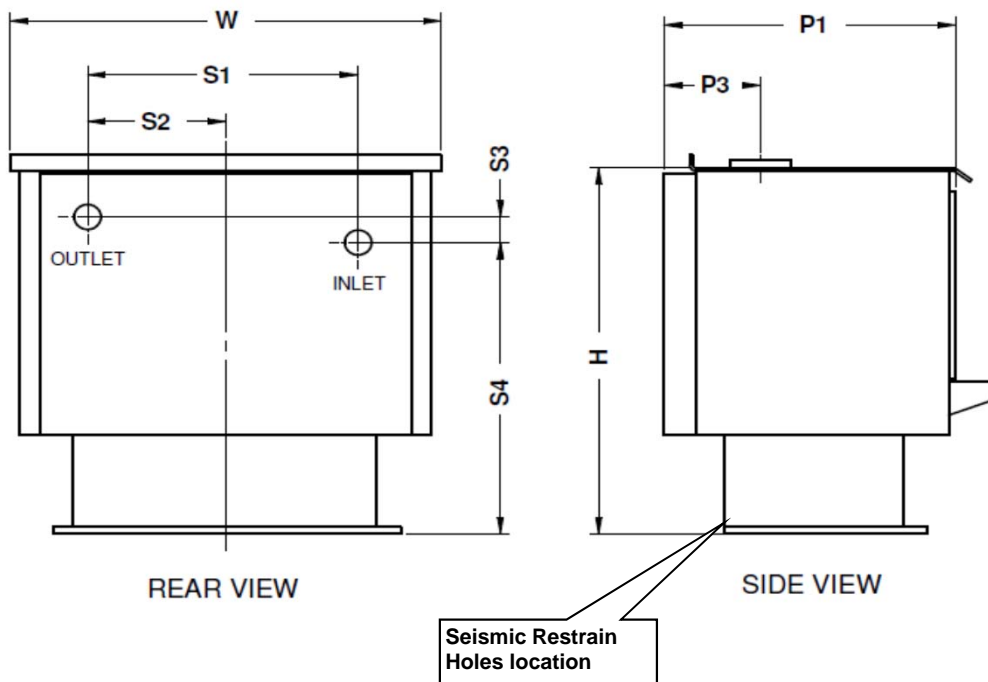
FUF = FLOMET UNIVERSAL FLUE SYSTEM + 850mm Single Flue Shield

AGA = AIR GROUP / AHD SPECIAL INSULATED FLUE KIT + SPECIAL 900mm DOUBEL FLUE SHIELD + TOP DIVERTER PLATE + 500X500 CEILING PLATE

AFP = ASH FLOOR PROTECTOR

Dimensions in table are valid only when the fire is exactly at its minimum allowable wall clearance.

FREE STANDING FIRE DIMENSIONS

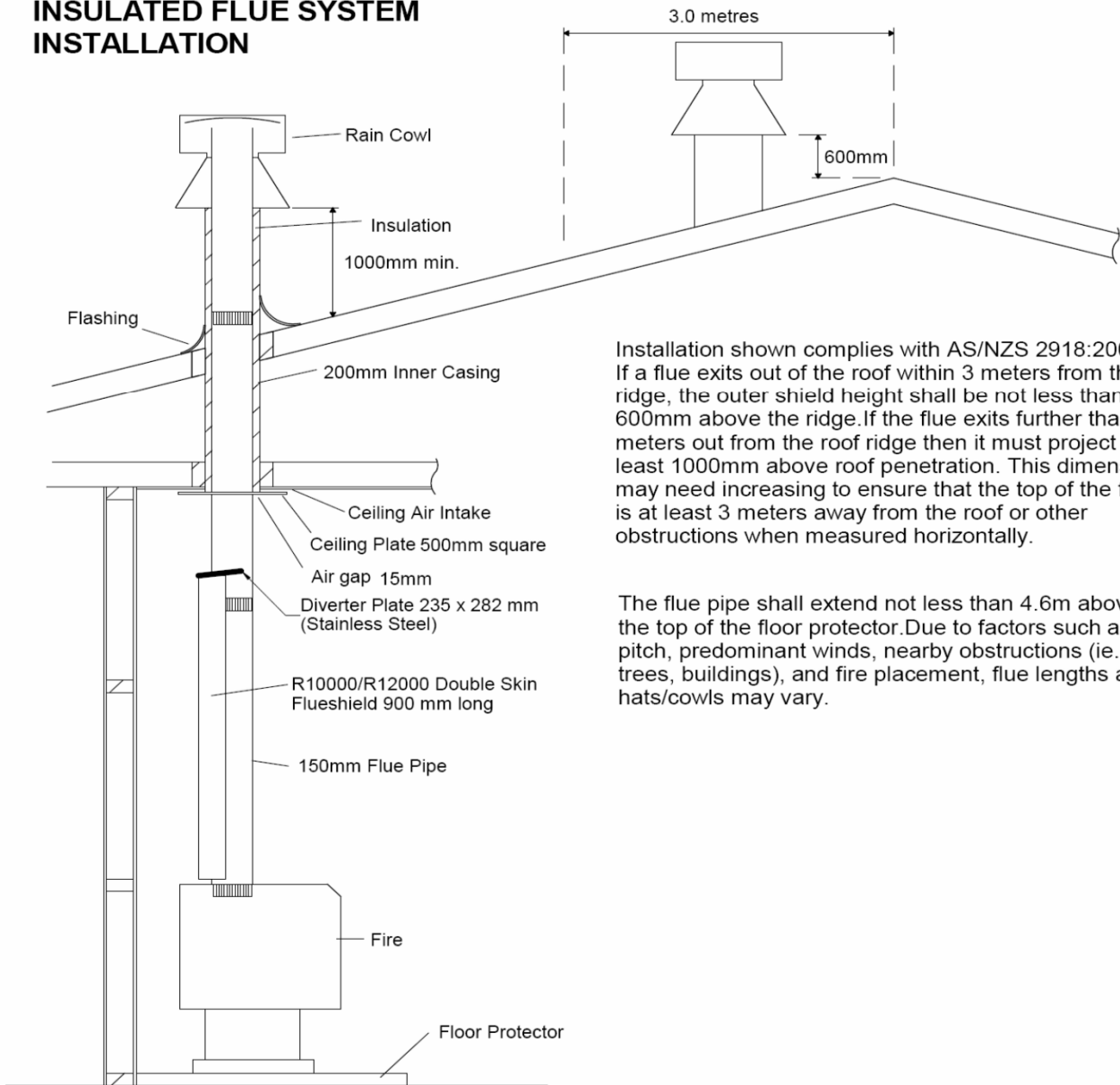


MODEL		P1	P3	H	W	S1	S2	S3	S4
R12000 (HW)(Dry with Fan)		623	200	798	790	340	170	20	615

Seismic Restrain - In New Zealand and some part of Australia, it is required that the wood fire and floor protector are secured to prevent shifting in the event of an earthquake. This is best done by fastening the wood fire right through the protector to the floor, using two screws not less than 12 guage or the equivalent size of coach bolts or toggle fasteners.

THIS FLUE INSTALLATION DIAGRAM BELOW IS VALID FOR AU INSTALLATIONS ONLY. USE THESE INSTRUCTIONS ALONG WITH AIR GROUP SPECIAL INSULATED FLUE KIT SUPPLIED BY AIR GROUP.

AIR GROUP SPECIAL INSULATED FLUE SYSTEM INSTALLATION



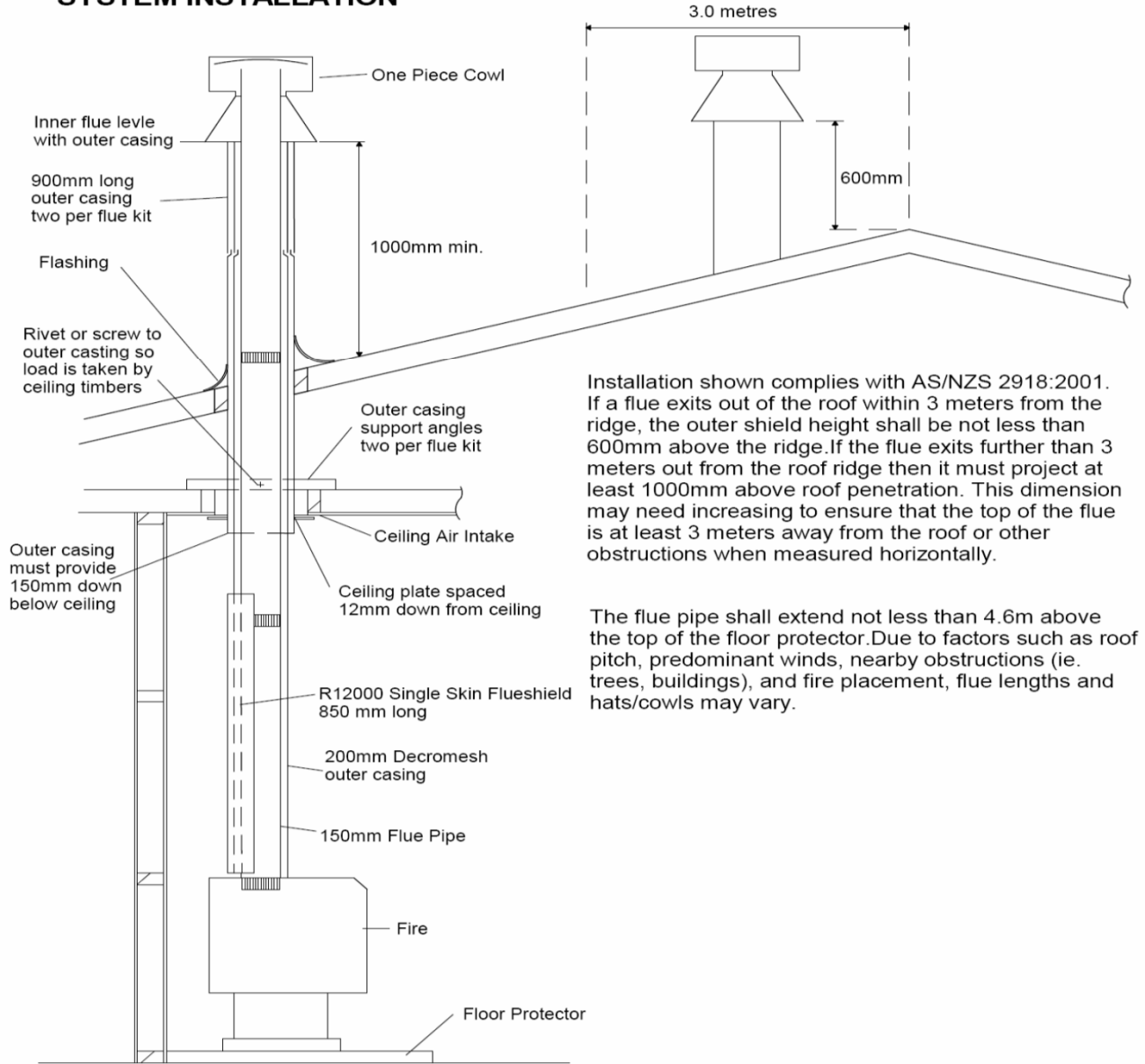
Installation shown complies with AS/NZS 2918:2001. If a flue exits out of the roof within 3 meters from the ridge, the outer shield height shall be not less than 600mm above the ridge. If the flue exits further than 3 meters out from the roof ridge then it must project at least 1000mm above roof penetration. This dimension may need increasing to ensure that the top of the flue is at least 3 meters away from the roof or other obstructions when measured horizontally.

The flue pipe shall extend not less than 4.6m above the top of the floor protector. Due to factors such as roof pitch, predominant winds, nearby obstructions (ie. trees, buildings), and fire placement, flue lengths and hats/cowls may vary.

FLUE SYSTEM INSTALLATION 150mm

THIS FLUE INSTALLATION DIAGRAM BELOW IS VALID FOR AU INSTALLATIONS ONLY. USE THESE INSTRUCTIONS ALONG WITH UNIVERSAL FLUE SYSTEMS INSTALLATION SUPPLIED BY FLOMET.

FLOMET UNIVERSIAL FLUE SYSTEM INSTALLATION



FLUE SYSTEM INSTALLATION 150mm