

# Masport<sup>®</sup> Heating

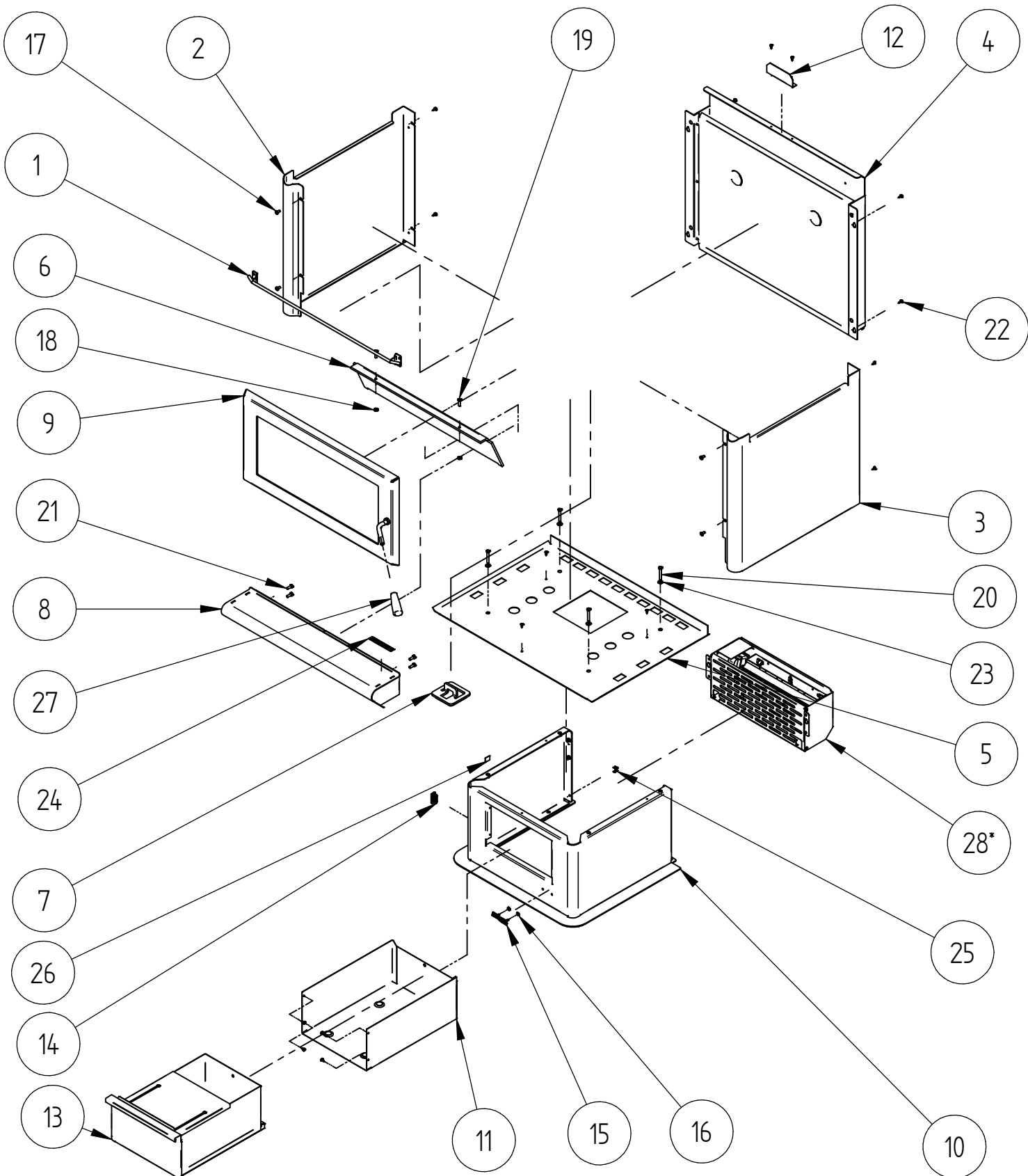
## FREESTANDING WOOD FIRES

### R12000 PEDESTAL - AUSTRALIA

Item No.	MARKET	FUEL TYPE	FINISHING	YEAR	FAN
984911	AU	HARDWOOD	Metallic Black VHT Paint	MAR-2014	Optional



## PANELS, DOOR AND PEDESTAL



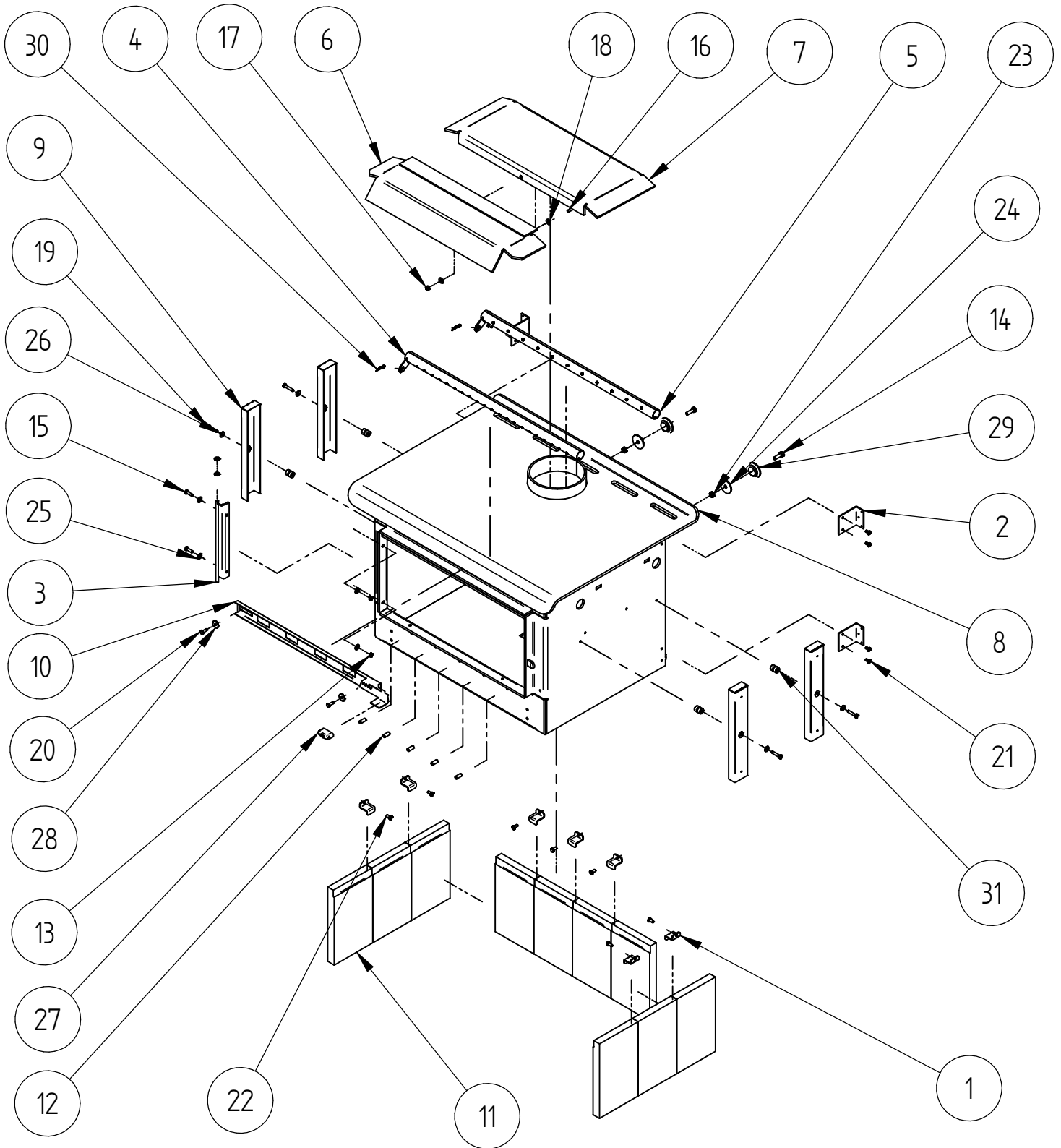
When ordering PLEASE QUOTE PART ID, MODEL Number & DESCRIPTIONS, NOT ITEM Number  
determining left hand side from viewing position

PANELS, DOOR AND PEDESTAL				
Item	Part ID	Model(s)	Description	Qty
		984911		
1	983550	V02	R10000 LOUVER ASSEMBLY	1
2	983515	V02	R10000 L/H SIDE PANEL	1
3	983516	V02	R10000 R/H SIDE PANEL	1
4	983540	V02	R10000 REAR PANEL SUB ASS MET BLKVHT	1
5	983514	-	R10000 BASE H/S	1
6	983509	-	R10000 F/B LOWER PLATE	1
7	983019	V02	PLUG SHEET METAL	1
8	983521	V02	R10000 ASH SHELF ASSEMBLY	1
9	983524	-	R10000 DOOR ASSY COMPLETE	1
10	983533	V02	R10000 PEDESTAL COMPLETE	1
11	983560	-	R1000 PED ASH DRAWER SUPPORT	1
12	983561	V02	R10000 REAR CLEARANCE BRACKET	1
13	983556	V02	R10000 ASHBOX ASSY	1
14	503887	-	PLUG SWITCH HOLE	1
15	587835	-	BADGE MASPORT HEATING	1
16	526009	-	CLIP; STARLOCK M4	2
17	521045	-	SCREW; M6X10 PAN POZI BLK	4
18	522107	-	NUT; HEX STD M6 BLK	2
19	521054	-	SCREW; M6X20 HEX ZP	2
20	521077	-	SCREW; M6X40 HEX ZP	4
21	521076	-	SCREW; M6X16 HEX ZP	4
22	521645	-	SCREW; S/T 8GX1/2" MUSH FLANGE POZI BLK	17
23	523036	-	WASHER; FLAT 1/4"X5/8" BLK	4
24	595695	-	DECAL "BURN ONLY" COMBINED NZ/AUS	1
25	596603	-	EARTH TAB RIVET BN11	1
26	585631	-	DECAL EARTH	1
27	PYR00376	-	PYR DOOR HANDLE	1
28*	983915	-	R5000 NZ FAN KIT COMPLETE	1

\*Optional Sale Kit

When ordering PLEASE QUOTE PART ID, MODEL Number & DESCRIPTIONS, NOT ITEM Number  
determining left hand side from viewing position

## AIRSLIDE, BAFFLE, BRICKS AND FIREBOX

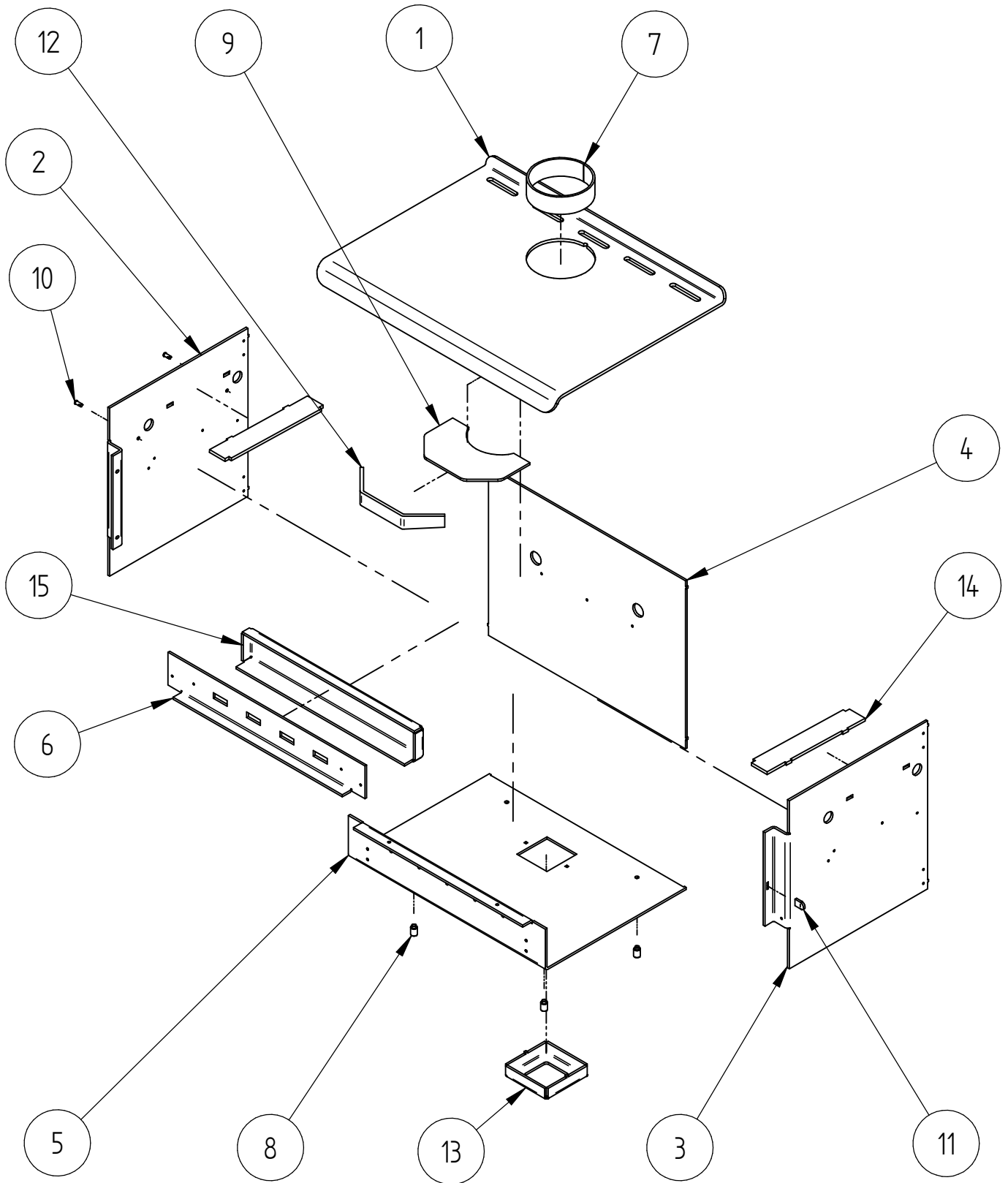


When ordering PLEASE QUOTE PART ID, MODEL Number & DESCRIPTIONS, NOT ITEM Number  
determining left hand side from viewing position

AIRSLIDE, BAFFLE, BRICKS AND FIREBOX				
Item	Part ID	Model(s)	Description	Qty
		984911		
1	HBA00118	-	HBA BRICK RETAINER	7
2	983531	-	R10000 REAR BODY MOUNT BRACKET	4
3	983548	-	R10000 DOOR HINGE ASSEMBLY	1
4	983553	-	TUBE-SEC AIR ASSY, R10000 S/S FRONT	1
5	983554	-	TUBE-SEC AIR ASSY, R10000 S/S REAR	1
6	983591	-	R10 BAFFLE FRONT SUB ASSEM	1
7	983593	-	R10000 BAFFLE PLATE REAR	1
8	983567	-	R12000 F/B WELDED ASSEMBLY	1
9	MIC00123	-	MIC SEC AIR CHANNEL	4
10	983565	-	R12000 AIRSLIDE AU	1
11	MIC00354	-	MIC BRICK	10
12	525007	-	PIN; TENSION 8X20 BLK BISSELL 001791	5
13	522107	-	NUT; HEX STD M6 BLK	2
14	521067	-	SCREW; M8X25 HEX ZP	2
15	521054	-	SCREW; M6X20 HEX ZP	2
16	521058	-	SCREW; M6X25 HEX ZP	1
17	522907	-	NUT; BINX M6 ZP	1
18	523007	-	WASHER; FLAT 1/4"X5/8"X0.049" ZP	2
19	521059	-	SCREW; M6X30 HEX ZP	4
20	521052	-	SCREW; M6X16 HEX BLK	2
21	521046	-	SCREW; M6X10 PAN POZI ZP	8
22	521075	-	SCREW; M6X12 HEX ZP	7
23	522118	-	NUT; HEX STD M8 ZP	2
24	523035	-	WASHER; FLAT M8X22X3 HVY ZP	2
25	523019	-	WASHER; FLAT 5/16"X5/8"X16G ZP	6
26	523036	-	WASHER; FLAT 1/4"X5/8" BLK	4
27	593568	-	AIR SLIDE KNOB PUSH ON	1
28	MIC00083	-	LOGAIRE METRO AIR SLIDE SPACER	2
29	684089	-	PLUG, 3/4DIAPITTS/FATSO/WFIRE	2
30	526101	-	CLIP; R-CLIP 1.8 DIA ST	2
31	HBA00129	-	HBA AIR DEFLECTOR SPACER	4

When ordering PLEASE QUOTE PART ID, MODEL Number & DESCRIPTIONS, NOT ITEM Number  
determining left hand side from viewing position

# FIREBOX DETAILS

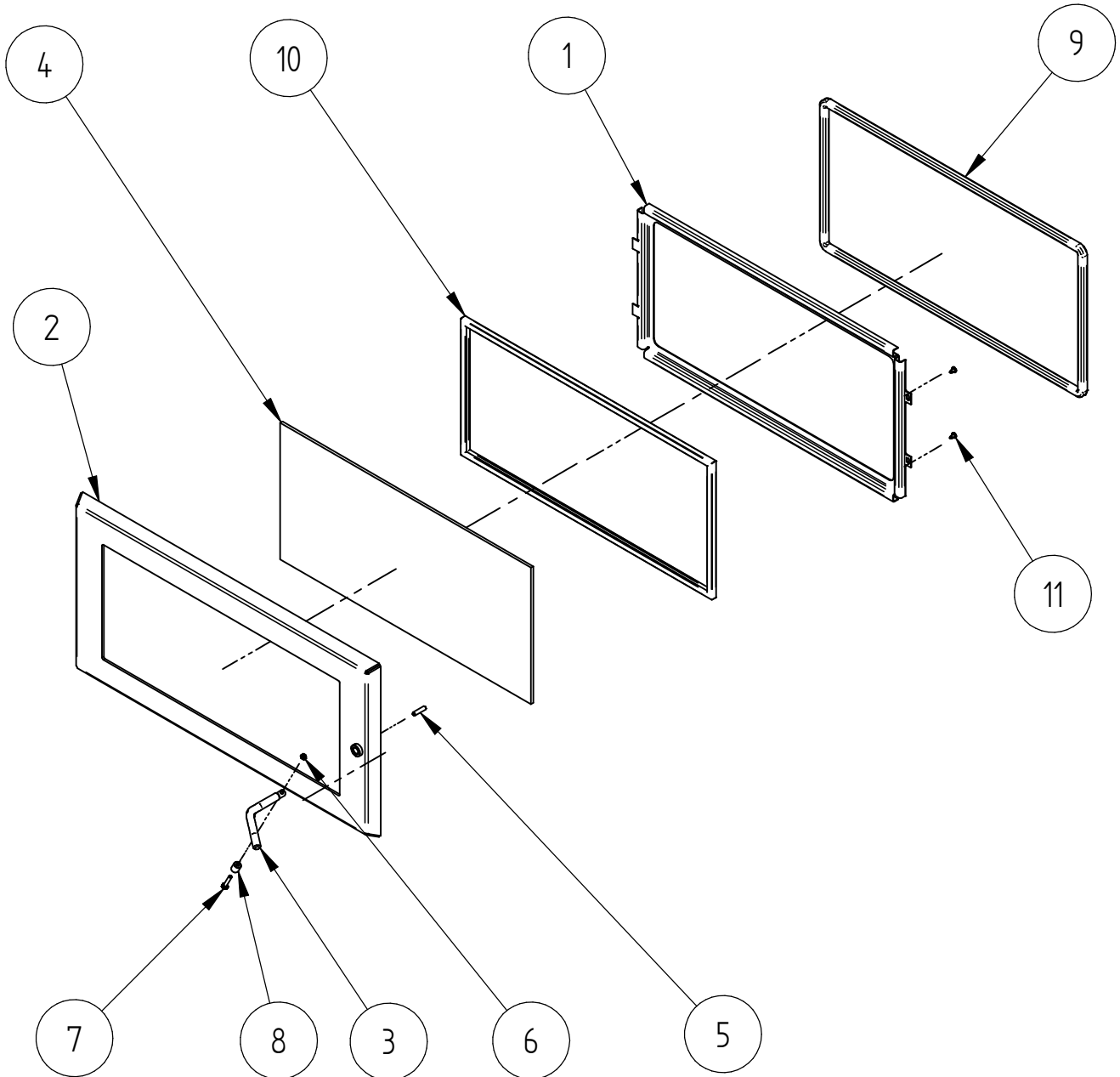


When ordering PLEASE QUOTE PART ID, MODEL Number & DESCRIPTIONS, NOT ITEM Number  
determining left hand side from viewing position

FIRE BOX : 983567				
Item	Part ID	Model(s)	Description	Qty
		984911		
1	983501	-	R10000 F/B TOP	1
2	983506	-	R10000 F/B L/H SIDE PANEL	1
3	983507	-	R10000 F/B L/H SIDE PANEL	1
4	983508	-	R10000 F/B REAR PANEL	1
5	983566	-	R12000 AU F/B BASE PANEL	1
6	983505	-	R10000 F/B FRONT TOP PANEL	1
7	MET00120	-	SPIGOT	1
8	MET00429	-	FIREBOX BUSH - SPIGOTED	4
9	983513	-	R10000 TOP PLATE STIFFENER	1
10	MIC00137	-	MIC AIRBAR PIN	2
11	983049	-	TAB-DOOR LATCH, OSB1600	1
12	983510	-	R10000 F/B DEFLECTOR FLUE	1
13	983235	-	R5000 F/B ASH DUMP CAVITY	1
14	983538	-	R10000 BAFFLE SUPPORT	2
15	983503	-	R10000 F/B TOP AIR DEFLECTOR	1

When ordering PLEASE QUOTE PART ID, MODEL Number & DESCRIPTIONS, NOT ITEM Number  
determining left hand side from viewing position

## DOOR ASSEMBLY



When ordering PLEASE QUOTE PART ID, MODEL Number & DESCRIPTIONS, NOT ITEM Number  
determining left hand side from viewing position

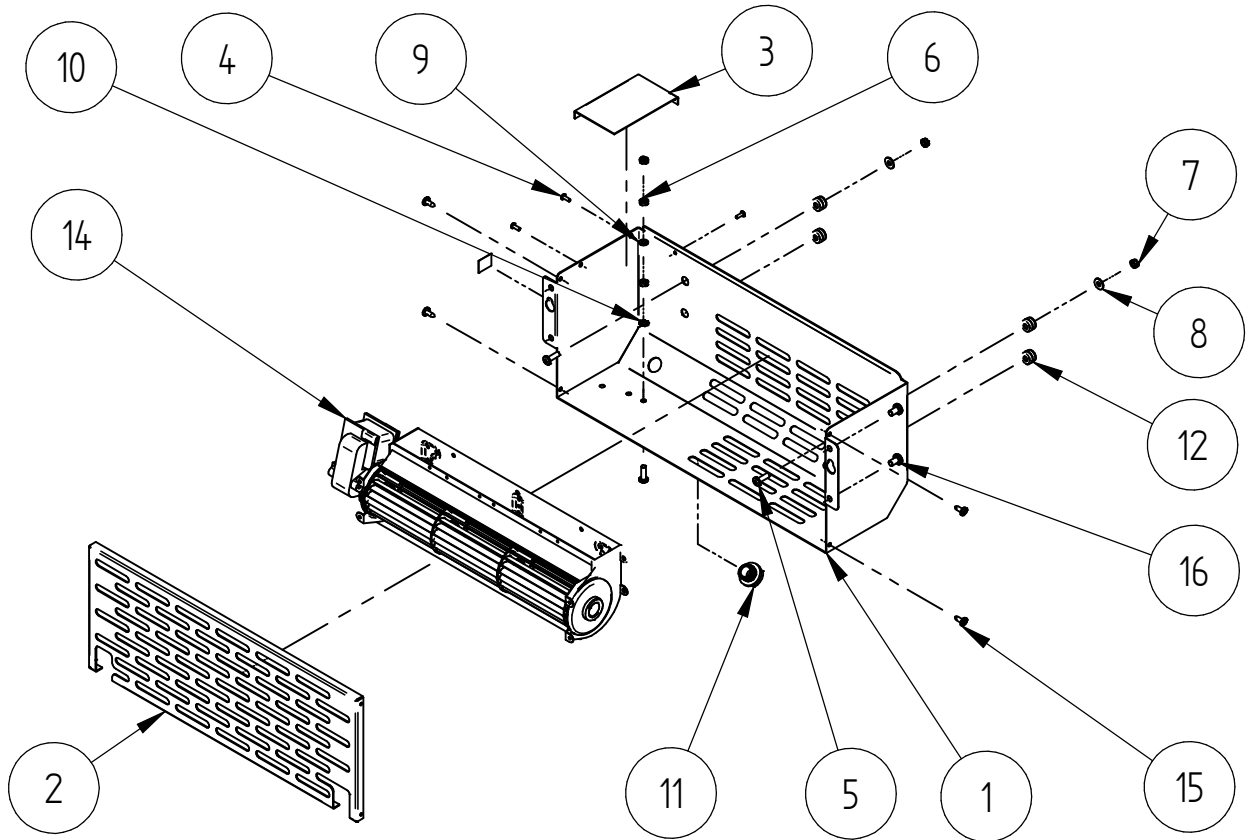


DOOR ASSEMBLY : 983524				
Item	Part ID	Model(s)	Description	Qty
		984911		
1	983527	-	R10000 GLASS RETAINER	1
2	983525	V02	R10000 DOOR SUB ASSEMBLY	1
3	KRR00373	-	KRR DOOR LEVER	1
4	583523	-	R10000 GLASS	1
5	521704	-	SCREW; GRUB M6X25 ALLEN BLK	1
6	522901	-	NUT; BINX M5 ZP	1
7	521805	-	SCREW; CAP M5X25 ALLEN BLK	1
8	PYR00461	-	PYR HANDLE ROLLER	1
9	C14MMDR	-	DOOR ROPE 16MM X 50m ROLL (MTR)	1
10	C25MMLT	-	LADDER TAPE 25x3x50m ROLL (MTR)	1
11	521627	-	SCREW; S/T 8GX3/8" MUSH FLANGE POZI BLK	2

\*Optional Sale Kit

When ordering PLEASE QUOTE PART ID, MODEL Number & DESCRIPTIONS, NOT ITEM Number  
determining left hand side from viewing position

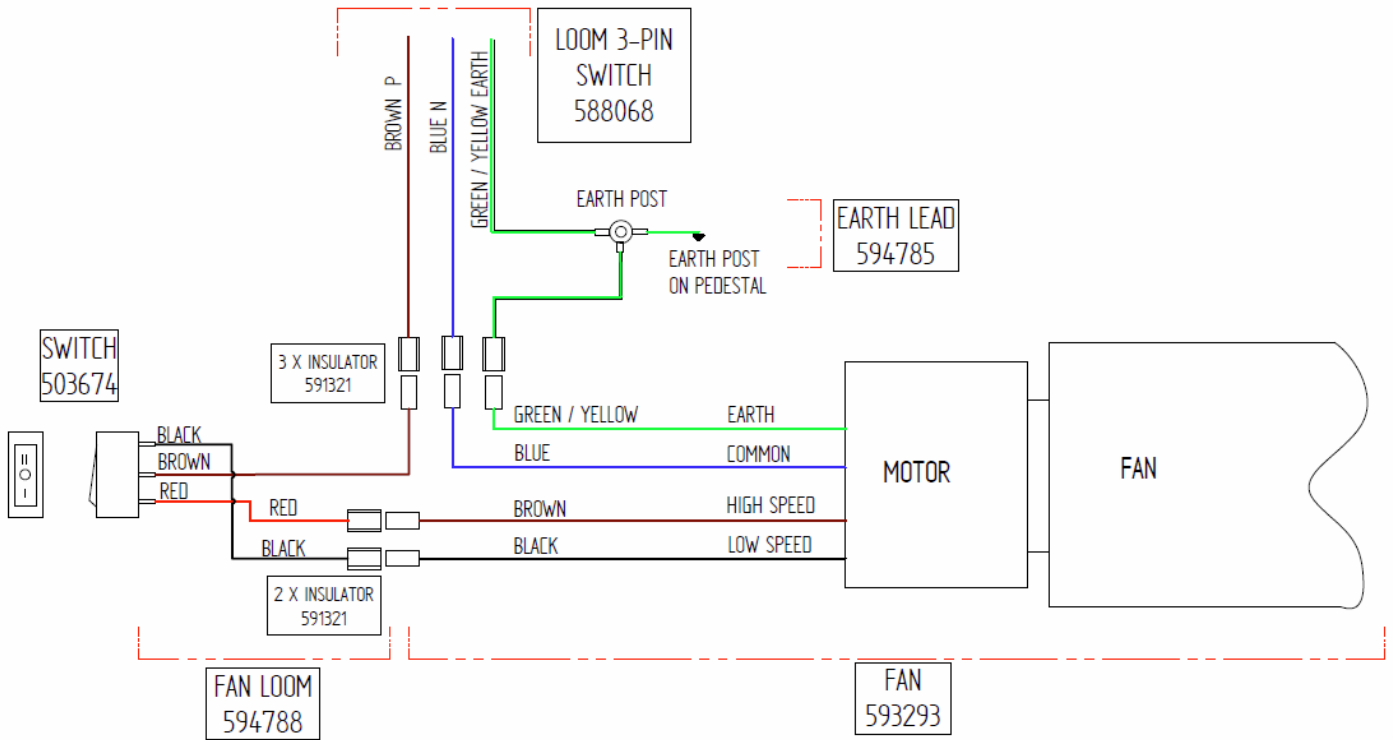
## FAN BOX ASSEMBLY



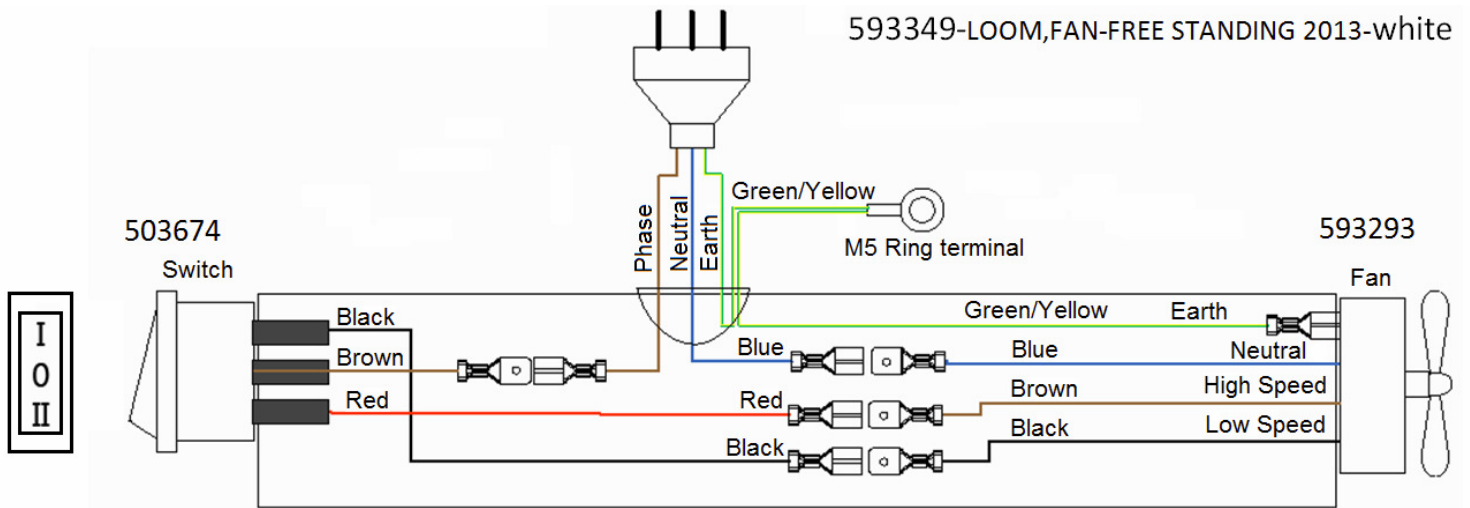
R5000/R12000 FAN BOX ASSAMBLY: 983915				
Item	Part ID	Models	Descriptions	Qty
		984911		
1	983237	P02	R5000/R12000 FAN CASING	1
2	983238	P02	R5000 FAN BACKING PANEL	1
3	994794	-	SHIELD FAN PANEL FERGAS F3000	1
4	524002	-	RIVET; 73 AS 4-3	3
5	521033	-	SCREW; M5X16 PAN POZI BLK	3
6	522106	-	NUT; HEX STD M5 ZP	2
7	522305	-	NUT; NYLOCK M5 ZP	3
8	523000	-	WASHER; FLAT 3/16"X1/2"X18G ZP	2
9	523028	-	WASHER; FLAT M5 BRS	1
10	523204	-	WASHER; STAR M5 EXT	1
11	529201	-	CLAMP; CABLE 16 LITTLE GRIPPER	1
12	529402	-	GROMMET; 14X6	4
13*	585631	-	DECAL EARTH	1
14	593293	-	FAN-2 SP TANG W/F INB FERGAS 76118	1
15	521645	-	SCREW; S/T 8GX1/2" MUSH FLANGE POZI BLK	4
16	521045	-	SCREW; M6X10 PAN POZI BLK	4

When ordering PLEASE QUOTE PART ID, MODEL Number & DESCRIPTIONS, NOT ITEM Number  
determining left hand side from viewing position

## FAN LOOM DIAGRAM



## FAN WIRING DIAGRAM W/F FREESTANDING 2011-2013 (AUSTRALIAN MODELS ONLY)



## FAN WIRING DIAGRAM W/F FREESTANDING 2013 ONWARDS

When ordering PLEASE QUOTE PART ID, MODEL Number & DESCRIPTIONS, NOT ITEM Number  
determining left hand side from viewing position

NOT ILLUSTRATED				
Item	Part ID	Models	Descriptions	Qty
		984911		
1	593286	-	OWNER MANUAL WOODFIRES	1
2	593287	-	INSTALL MANUAL WOODFIRES	1
3	583573	-	R12000 HW DATA SHEET	1
4	583569	-	R12000 BRICK LAYOUT	1
5	983578	-	R12000 FLUE SHIELD HOOKING BRACKET	1
5	983579	-	R12000 FLUE SHIELD ASSY	1
6	583587	-	R12000 FLUE SHIELD INSTALLATION PAGE	1
7	583271	-	R5000 FAN INSTRUCTION SHEET	1
8	524038	-	RIVET; 73 STST 4-3 (S/S)	4

SURFACE FINISH CODES FOR PANELS						
VITREOUS ENAMEL		VHT PAINT(Very High Temp)			POWDER COAT	
E01	MATT BLACK	V02	P-000022	METALLIC BLACK	P02	MATT BLACK
E02	GLOSS BLACK	V03	P-000043	CHARCOAL	P03	CHARCOAL
E03	CHARCOAL	V04	P-000081	TITANIUM	P05	SATIN BLACK
		V05	P-000051	CHARCOAL (DAM MET BLK)	P09	METTALIC BLACK
		V06	P-000052	METALLIC BLACK ZINC		

LESS FREQUENTLY OR OLD SURFACE FINISH CODES FOR PANELS						
VITREOUS ENAMEL		VHT PAINT(Very High Temp)			POWDER COAT	
E04	JASMINE	V01		SATIN BLACK HIGH TEMP	P01	BLUE/BLACK
					P04	GLOSS CHARCOAL
					P07	FLAT BLACK

When ordering PLEASE QUOTE PART ID, MODEL Number & DESCRIPTIONS, NOT ITEM Number  
determining left hand side from viewing position