

Masport[®] Heating

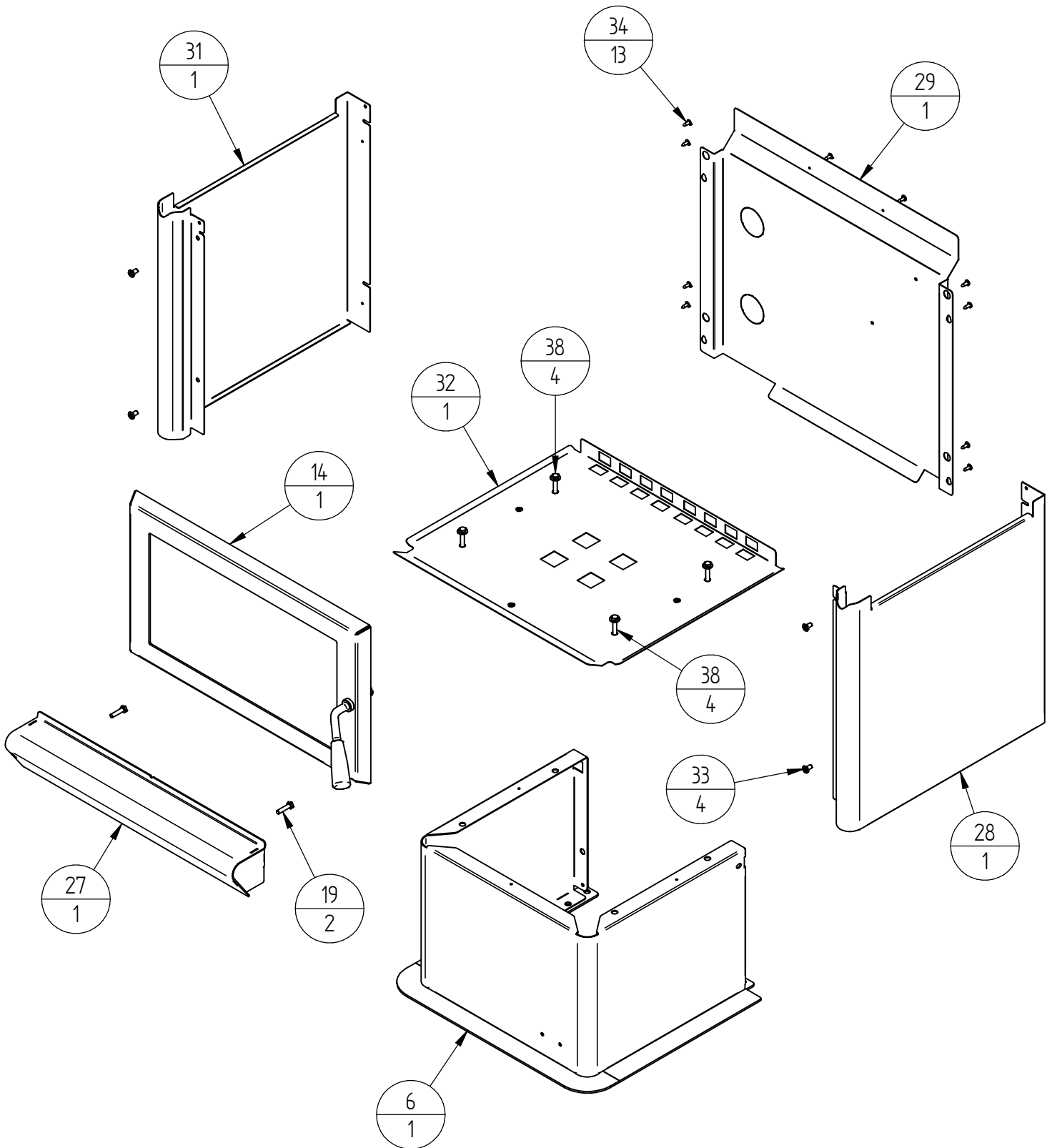
FREESTANDING WOOD FIRES

RUBYVALE R3 PED - AUSTRALIA

Item No.	MARKET	FUEL TYPE	FINISHING	YEAR	FAN
992942 (PED)	AUS	HARDWOOD	METALLIC BLACK VHT PAINT	FEB-2019	N/A



PANELS, DOOR AND PEDESTAL (PED)

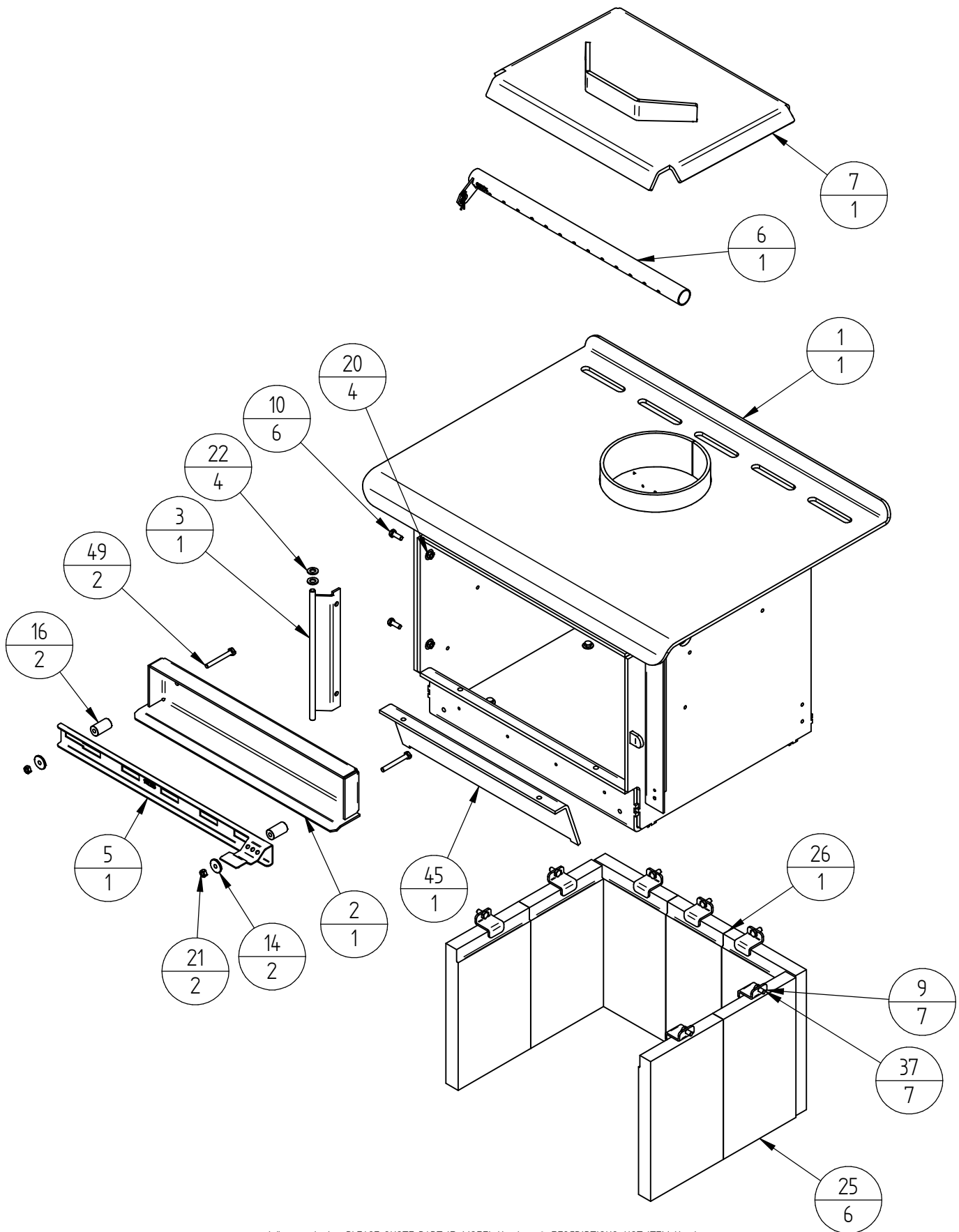


When ordering PLEASE QUOTE PART ID, MODEL Number & DESCRIPTIONS, NOT ITEM Number
determining left hand side from viewing position

Item Number	File Name	992942 (Model)	Title	Quantity
6	992215	V02	R3000 PED WELDED SUB	1
14	992176		R3000 DOOR COMPLETE ASSY	1
19	521057		SCREW; M6X25 HEX ST	2
27	992222	V02	R3000 ASHLIP SUB	1
28	992221	V02	R3000 R/H SIDE PANEL	1
29	992226	V02	R3000 REAR PANEL	1
31	992220	V02	R3000 L/H SIDE PANEL	1
32	992186	V02	R3000 BASE H/S	1
33	521045		SCREW; M6X10 PAN POZI BLK	4
34	521645		SCREW; S/T 8GX1/2" MUSH FLANGE POZI BLK	13
38	521077		SCREW; M6X40 HEX ZP	4

When ordering PLEASE QUOTE PART ID, MODEL Number & DESCRIPTIONS, NOT ITEM Number
determining left hand side from viewing position

AIRSLIDE, BAFFLE, BRICKS AND FIREBOX

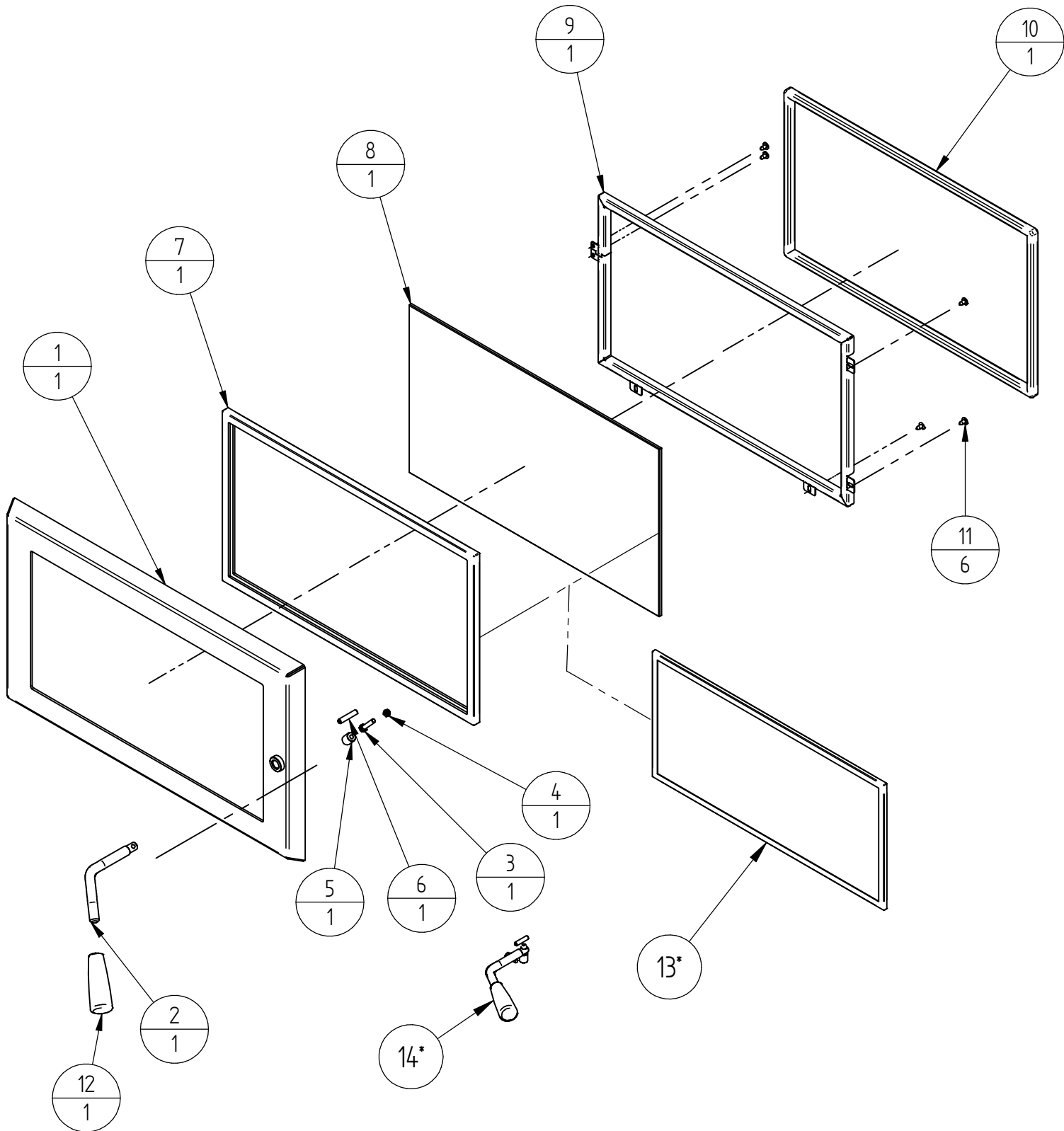


When ordering PLEASE QUOTE PART ID, MODEL Number & DESCRIPTIONS, NOT ITEM Number
determining left hand side from viewing position

Item Number	File Name	992942 (Model)	Title	Quantity
1	992270		R3000 AU RURAL F/B ASSEMBLY	1
2	992201		R3000 AIR DEFLECTOR	1
3	992208		R3000 HINGE ASSEMBLY	1
5	992265		R3000 AU AIR SLIDE	1
6	992274		R3000 AU AIR TUBE ASSEMBLY	1
7	992189		R3000 BAFFLE ASSEMBLY	1
9	HBA00118		HBA BRICK RETAINER	7
10	521076		SCREW; M6X16 HEX ZP	6
14	MIC00083		LOGAIRE METRO AIR SLIDE SPACER	2
16	MIC00129		MIC AIR DEFLECTOR BUSH	2
20	522107		NUT; HEX STD M6 BLK	4
21	522117		NUT; HEX STD M6 ZP	2
22	523018		WASHER; FLAT 5/16"X5/8" X16G BLK	4
25	MIC00354		MIC BRICK	6
26	592206		R3000 BRICK 25 X 115 X 250	1
37	521075		SCREW; M6X12 HEX ZP	7
45	992273	V02	R3000 AU F/B BASE AIR DEFLECTOR	1
49	521061		SCREW; M6X50 HEX ZP	2

When ordering PLEASE QUOTE PART ID, MODEL Number & DESCRIPTIONS, NOT ITEM Number
determining left hand side from viewing position

DOOR ASSEMBLY



When ordering PLEASE QUOTE PART ID, MODEL Number & DESCRIPTIONS, NOT ITEM Number
determining left hand side from viewing position

DOOR ASSEMBLY				
Item Number	File Name	Model (s)		Quantity
		992933		
1	992174	V02	R3000 WELDED DOOR ASSEMBLY	1
2	KRR00373		KRR DOOR LEVER	1
3	521805		SCREW; CAP M5X25 ALLEN BLK	1
4	522901		NUT; BINX M5 ZP	1
5	PYR00461		PYR HANDLE ROLLER	1
6	521706		SCREW; GRUB M6X25 ALLEN BLK	1
7	C25MMLT		GLASS FIBRE TAPE 25x3x50m ROLL (MTR)	1.45 MTRS
8	592175		R3000 GLASS	1
9	992182		R3000 GLASS RETAINER	1
10	C14MMDR		R3000 DOOR ROPE	1.45 MTRS
11	521627		SCREW; S/T 8GX3/8" MUSH FLANGE POZI BLK	6
12	PYR00376		PYR DOOR HANDLE	1
13	792175		R3000 GLASS/TAPE SPARE KIT	1
14*	PYREDH*		PYRE DOOR HANDLE ASSEMBLY	1

*Optional Sale Kit

NOT ILLUSTRATED						
Item	Part ID	Model(s)			Descriptions	Qty
		992942	992943	992944		
1	593286	-	-	-	OWNER MANUAL WOODFIRES 2010	1
2	593287	-	-	-	INSTALL MANUAL WOODFIRES 2010	1
3	592272	-	-	-	R3 AUS DATA SHEET	1
4	592214	-	-	-	R3000 LEG & PED BRICK LAYOUT	1

SURFACE FINISH CODES FOR PANELS					
VHT PAINT(Very High Temp)			POWDER COAT		
V02	P-000022	METALLIC BLACK	P02	MATT BLACK	
			P08	MANNEX BLACK	

When ordering PLEASE QUOTE PART ID, MODEL Number & DESCRIPTIONS, NOT ITEM Number
determining left hand side from viewing position