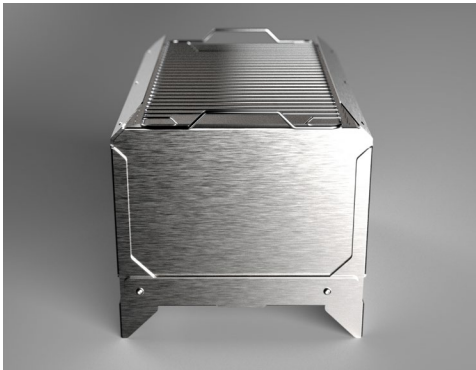




MAWSON CAMPFIRE

ASSEMBLY & USAGE INSTRUCTIONS

MMCFP



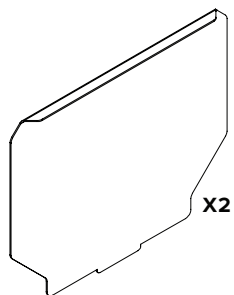
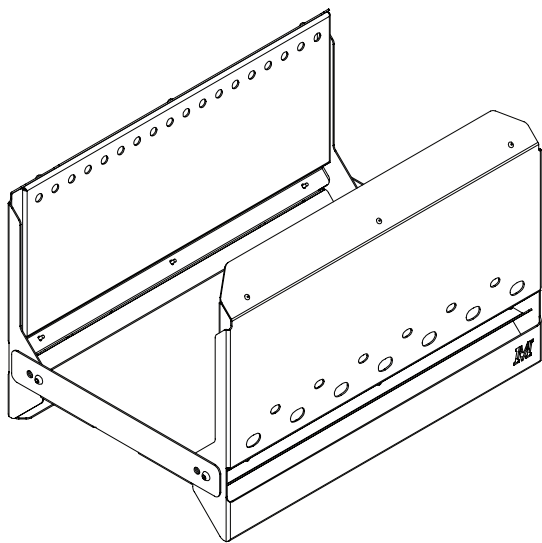
MMCFP
(MAWSON CAMPFIRE FIRE PIT)



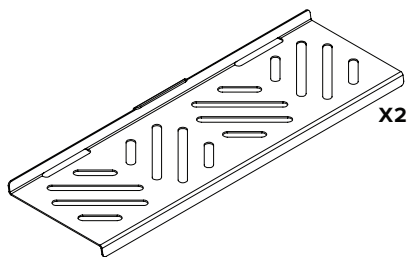
Glen Dimplex Australia proudly supports the activities of Landcare Australia through its membership of the AHHA.

VERSION 1.0

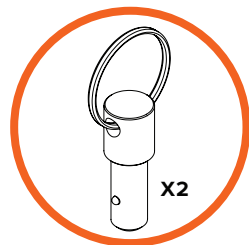
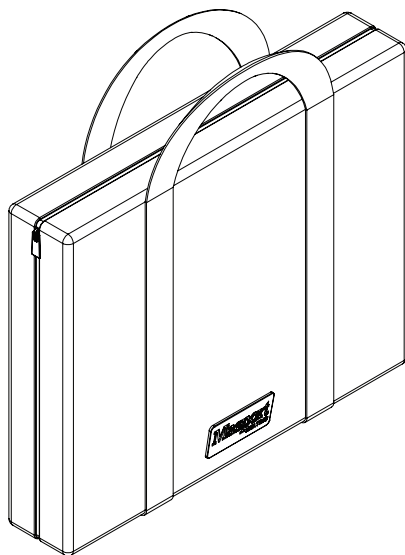
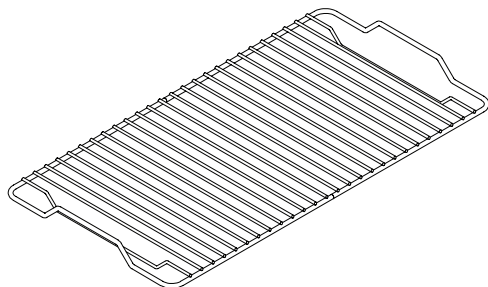
CONTENTS OF BOX



X2



X2



X2

SAFETY INSTRUCTIONS

Caution! Do not touch any part of the fire pit with bare hands when the fire is lit. Mawson Campfire gets very hot when in use. Please ensure children and pets are kept under supervision when the fire pit is in use. Do not leave the fire pit unattended when in use.

Caution! Mawson Campfire is not designed for use on combustible surfaces, such as a wooden deck, dry grass, or bark chips. Ensure the fire pit is only ever lit on level noncombustible surfaces, such as concrete, sand or gravel.

Caution! Ensure that there is a safe distance between the fire pit and any combustible objects or materials. Do not use under outdoor structures such as pergolas.

Do not use alcohol, kerosene, gasoline or other flammable accelerants to light or relight the fire pit.

Do not over fire or abuse as this will impact the longevity of the fire pit.

NEVER use indoors. For outdoor use only.

CAMPING INFORMATION

Before lighting a fire in a national park, campsite or other outdoor area, you must check with the governing rangers, councils or land owners for their fire and safety restrictions and guidelines.

Check for a total fire ban - it is your responsibility to know about and follow fire restrictions in your area.

Check with your local Parks and Wildlife Service to see if fires are permitted.

Follow any rules and safety measures specific to your area. There will be a number of rules you must follow to ensure that you and the natural environment remain safe.

USAGE TIPS

The Masport Mawson Campfire Fire Pit is designed in Australia and made from high quality materials, and with proper use and care should last a considerable amount of time. To ensure the best possible experience with Mawson Campfire, please follow the below usage tips:

Mawson Campfire features a twin-wall design to promote secondary combustion. Preheated air is jetted directly above the fire, which helps to burn off excess smoke. To ensure optimum performance, don't load wood above the top air holes on each side.

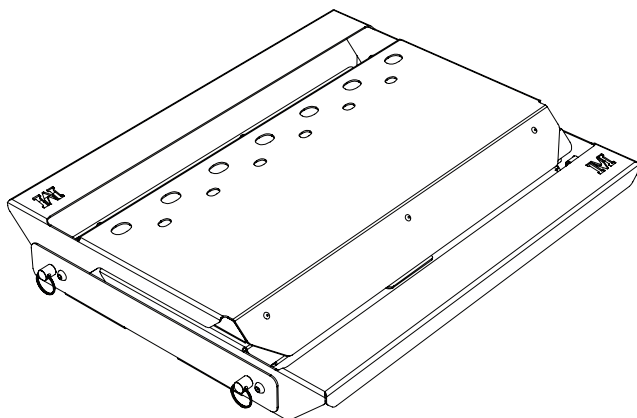
Good quality, dry fuel will result in the best low smoke performance. We recommend using smaller pieces of properly seasoned hardwood. Do not burn wet wood.

Mawson Campfire is made from hardwearing stainless steel. Stainless steel will change colour when exposed to high temperatures and develop a gold and blue patina. This is normal and does not affect the performance of the fire pit.

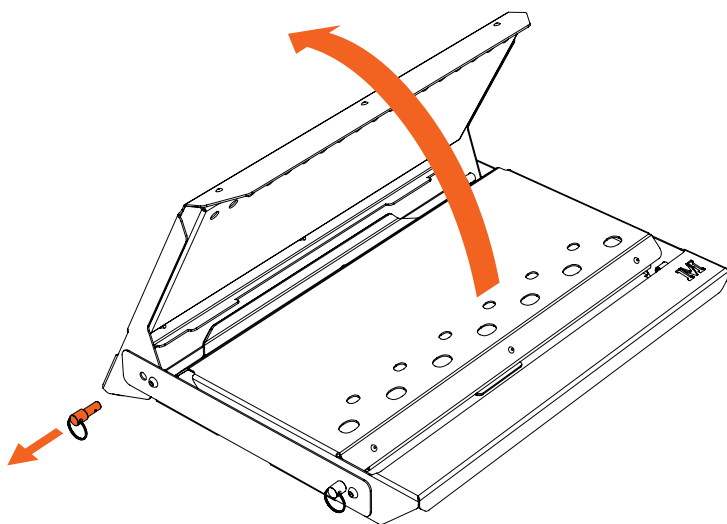
You can cook on Mawson Campfire using the included cooking grill. We recommend waiting until your wood has burned down to a bed of red hot glowing coals for optimum cooking performance. Before the first use, clean the grill with warm soapy water.

Wait until the fire has gone out completely and the unit is cool to the touch before attempting to clean out remaining ash and coals. We recommend brushing loose ash out of Mawson Campfire with a suitable hand broom before folding it up and stowing it in the carry bag. Do not put the fire pit inside the carry bag while it is still warm.

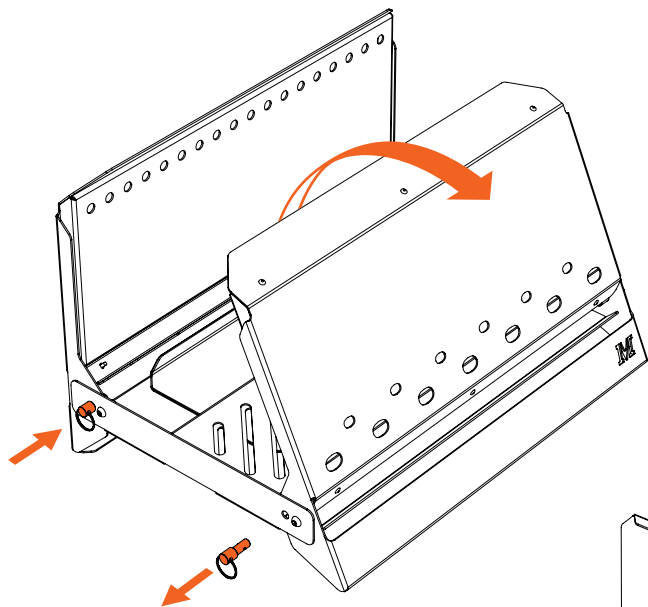
1



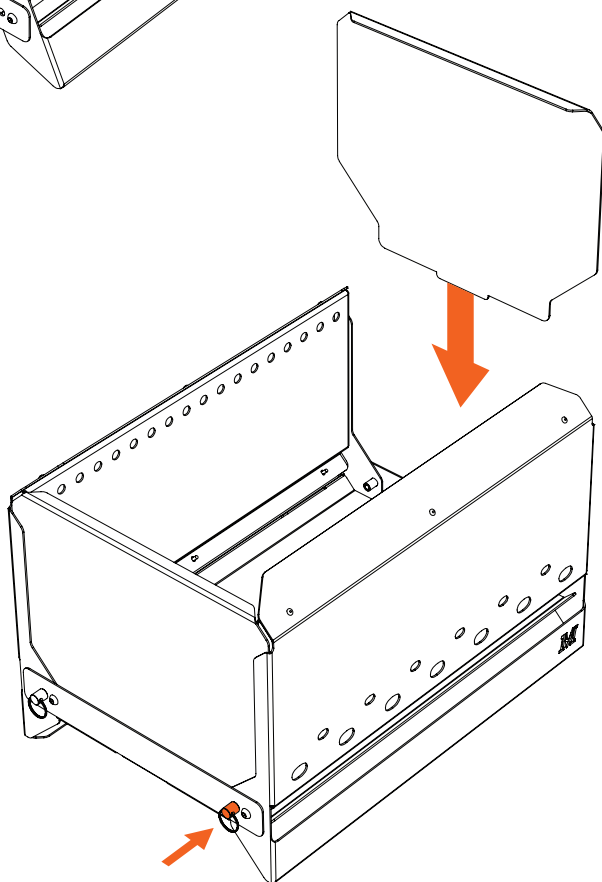
2



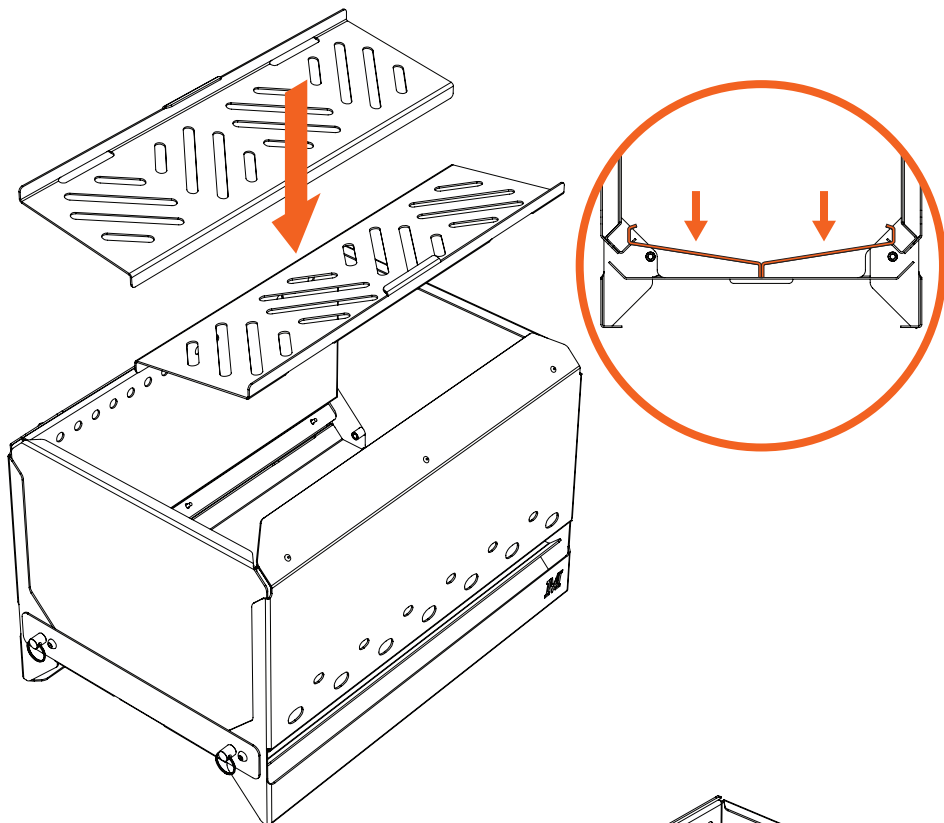
3



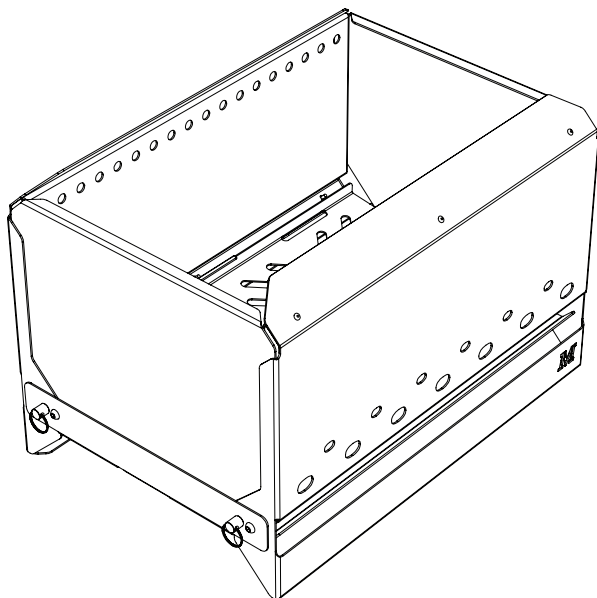
4



5



6



WARRANTY

The benefits provided to you under the following warranty are in addition to any other rights and remedies available to you under the law.

1. Warranty

If during the first year from the date of purchase (Warranty Period), there is a defect in the fire pit or included accessory (Product(s)), due to improper workmanship or material, Glen Dimplex will replace or repair the product without charge. Any replacement product is warranted only for the time remaining on the original Warranty Period or the Parts Warranty Period as relevant.

2. Registration

You must register to receive the benefit of this warranty by completing the warranty registration on our website (<https://www.masportheating.com.au/en-au/support/warranty>) within 30 days of purchase of your product.

3. Exclusions

Glen Dimplex is not obliged to replace or repair the Product under clause 1 if:

(a) it has been improperly stored, installed, assembled, used, operated or repaired, or damaged, abused, tampered with, altered (without our written approval), or not maintained in strict accordance with our installation and operating instructions; or

(b) it has been used for any purpose not considered domestic in nature.

4. Limit of Liability

The warranty provided under this warranty is limited to replacement or repair of the Product only, at our option. To the extent permitted by law, Glen Dimplex excludes liability for consequential loss or any other loss or damage caused to property or persons arising from any cause whatsoever, and damage arising from normal wear and tear.

5. Claiming under the Warranty

In order to claim under this warranty you must, within the Warranty Period or the Parts Warranty Period (as relevant), contact Glen Dimplex, providing the original proof of purchase and the details below:

Supplier Name _____

Date Of Purchase _____

Model / Serial Number _____

This warranty does not cover the cost of claiming under the warranty or transporting the Glen Dimplex Product to and from the supplier.

Our goods come with guarantees that cannot be excluded under the Australian Consumer Law. You are entitled to a replacement or refund for a major failure and for compensation for any other reasonably foreseeable loss or damage. You are also entitled to have the goods repaired or replaced if the goods fail to be of acceptable quality and the failure does not amount to a major failure.

If you would like to speak to someone about your Product or claiming under this warranty, please contact the Service Warranty Desk on 1300 554 155.

Glen Dimplex Australia Pty Ltd

ACN 69 118 275 460

Head Office: 8 Lakeview Drive, Scoresby 3179

Telephone: (03) 8706 2000

Facsimile: (03) 8706 2001



Glen Dimplex Australia Pty Ltd

8 Lakeview Drive,
Scoresby Victoria 3179
Australia

T: 1300 556 816 | F: 1800 058 900

General and Sales Enquiries: flame.care@glendimplex.com.au

Technical Service: flame.support@glendimplex.com.au

www.glendimplex.com.au